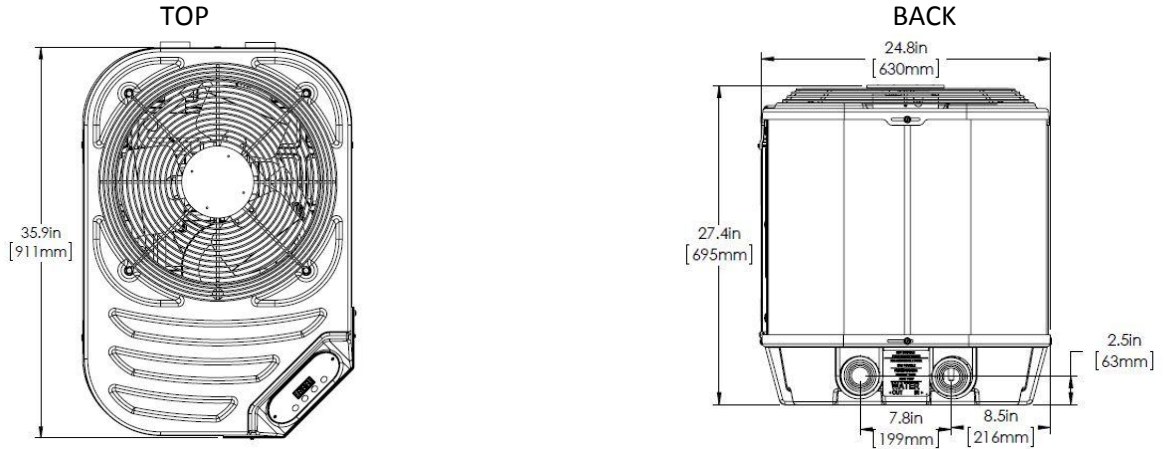


## Technical Data Sheet

### DIMENSIONS

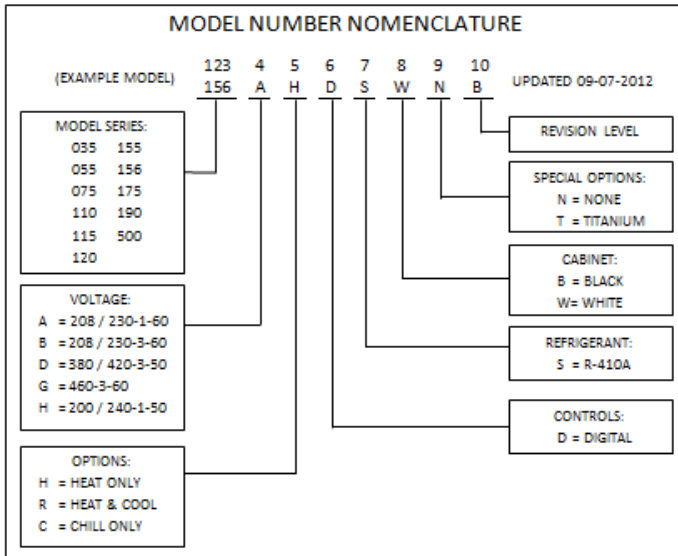
(in inches – millimeters in brackets)




### SPECIFICATIONS 12/31/2014

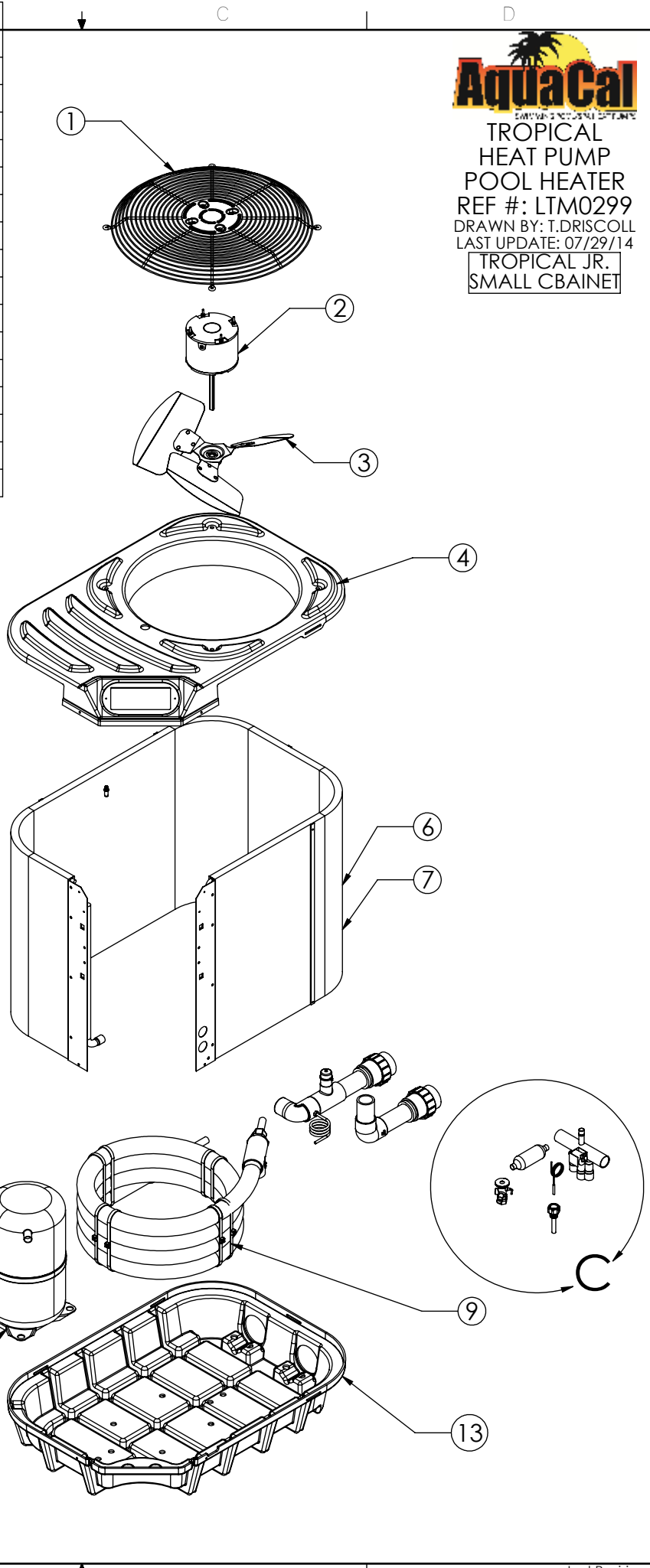
Information	Data		
TEST CONDITION (WATER/AIR/RH)	80/80/80	78/59/70	80/50/63
BTU OUTPUT	30,000	23,000	20,000
KW OUTPUT	8.8	6.7	5.9
KW INPUT	1.7	1.6	1.6
COEFFICIENT OF PERFORMANCE	5.1	4.1	3.7
VOLTAGE/Hz/PHASE	200-220/50/1		
MINIMUM CIRCUIT AMPACITY	12.2		
MAX FUSE	20		
COMPRESSOR TYPE	Reciprocating		
REGRIGERANT	R410A		
HEAT EXCHANGER	Titanium Tube in Tube		
WATER PRESSURE DROP	9.5 PSI (at 40 GPM)	9.5 PSI (at 151 LPM)	
WATER FLOW	20 Min/45 Max (GPM)	76 MIN /170 MAX (LPM)	
SHIPPING WEIGHT	220 pounds	100 kilograms	
DECIBELS	65 (at 10 feet)	65 (at 3 meters)	

Specifications are subject to change without notice.

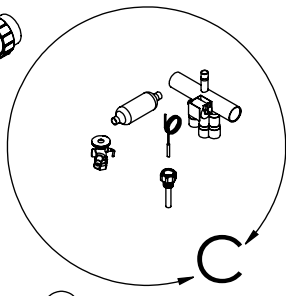


ITEM NO.	A	DESCRIPTION	B
1		FAN GRILLE	
2		FAN MOTOR	
3		FAN BLADE	
4		FAN TOP	
5		CONTROL PANEL DISPLAY ASSEMBLY	
6		EVAPORATOR MESH	
7		EVAPORATOR COIL	
8		CONTROL BOX	
9		CONDENSER KIT FOR SERVICE	
10		COMPRESSOR	
11		FRONT PANEL	
12		TXV	
13		BASE, PLASTIC	
14		FILTER DRIER	
15		THERMOSTAT	
16		THERMOWELL	
17		REVERSING VALVE (EXPORT ONLY)	

  
**AquaCal**  
SAVING MONEY SAVING TIME  
**TROPICAL**  
**HEAT PUMP**  
**POOL HEATER**  
 REF #: LTM0299  
 DRAWN BY: T.DRISCOLL  
 LAST UPDATE: 07/29/14  
 TROPICAL JR.  
 SMALL CBAINET



DETAIL C  
SCALE 1 : 8



A

B

C

D

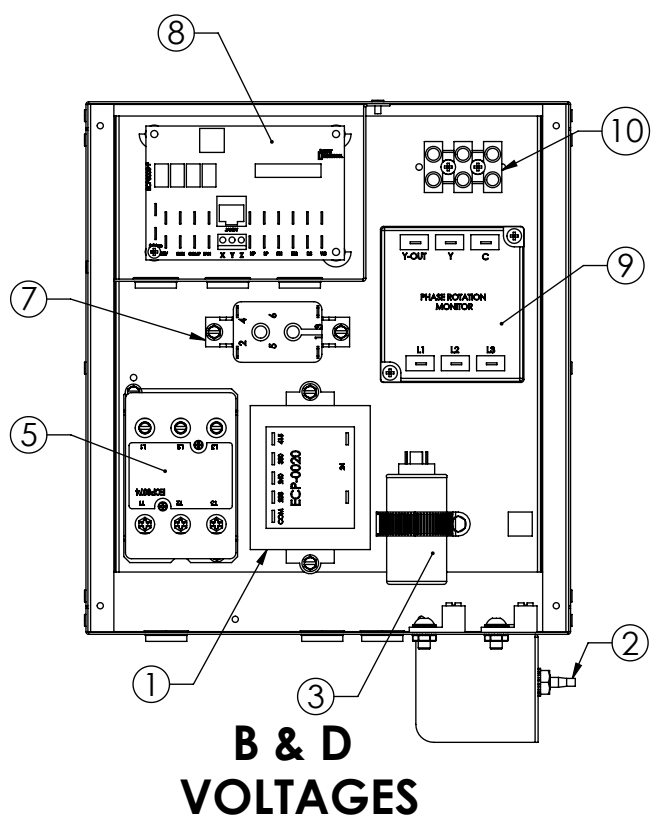
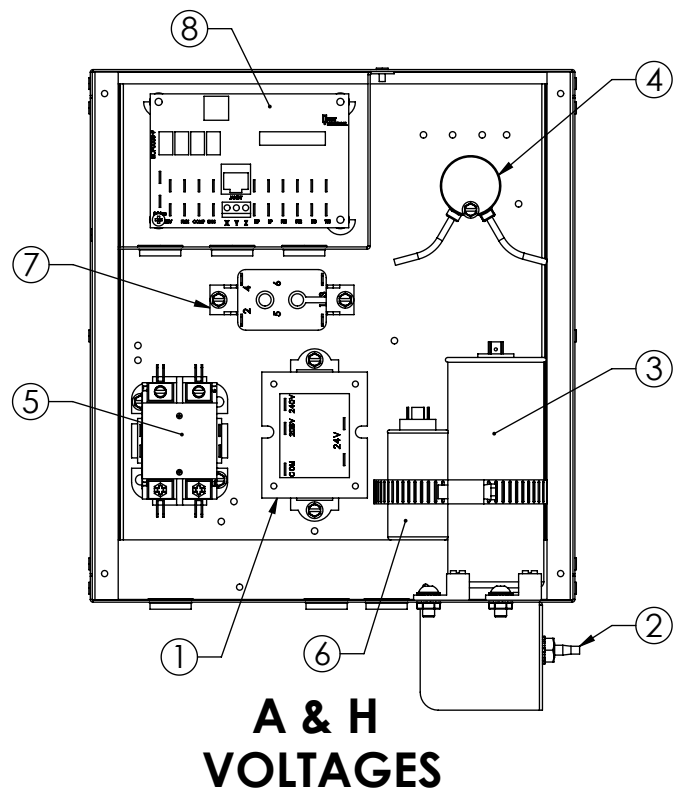
ELECTRICAL COMPONENT ASSEMBLY  
REF. #: LTM0296



DRAWN BY: T.DRISCOLL  
LAST UPDATE: 10/04/13

ITEM NO	DESCRIPTION
1	TRANSFORMER
2	SWITCH, WATER PRESSURE SPDT
3	CAPACITOR
4	HARD START CAPACITOR
5	CONTACTOR
6	CAPACITOR FAN
7	RELAY, FAN
8	MICROPROCESSOR BOARD
9	PHASE ROTATION MONITOR
10	TERMINAL BLOCK

AT050AHDSBN_	PRO500AHN_	T035DHDTBN_
AT075AHDSBN_	PRO800AHN_	T035HHDSBN_
AT115AHDSBN_	PRO1000AHN_	T055AHDSBN_
AT140AHDSBN_	PRO1000AHS_	T055DHDSBN_
	PRO1100AHN_	T055DHDTBN_
LT0400AHDSBN_	PRO1000AHS_	T055HHDSBN_
LT0600AHDSBN_	PRO1400AHN_	T055HHDTBN_
LT0700AHDSBN_	PRO1400AHS_	T075AHDSBN_
LT0800AHDSBN_	PRO1400ARN_	T075DHDSBN_
LT1000AHDSBN_	PRO1400BHN_	T075DHDTBN_
LT1000BHDSBN_	PRO1400BRN_	T075HHDSBN_
		T090AHDSBT_
		T115AHDSBN_
		T115AHDSBT_
		T135AHDSBT_
		T135BHDSBT_
		T135DHDSBN_



NOTE: EQUIVALENT PARTS MAY VARY APPEARANCE & LOCATION

A

B

C

D



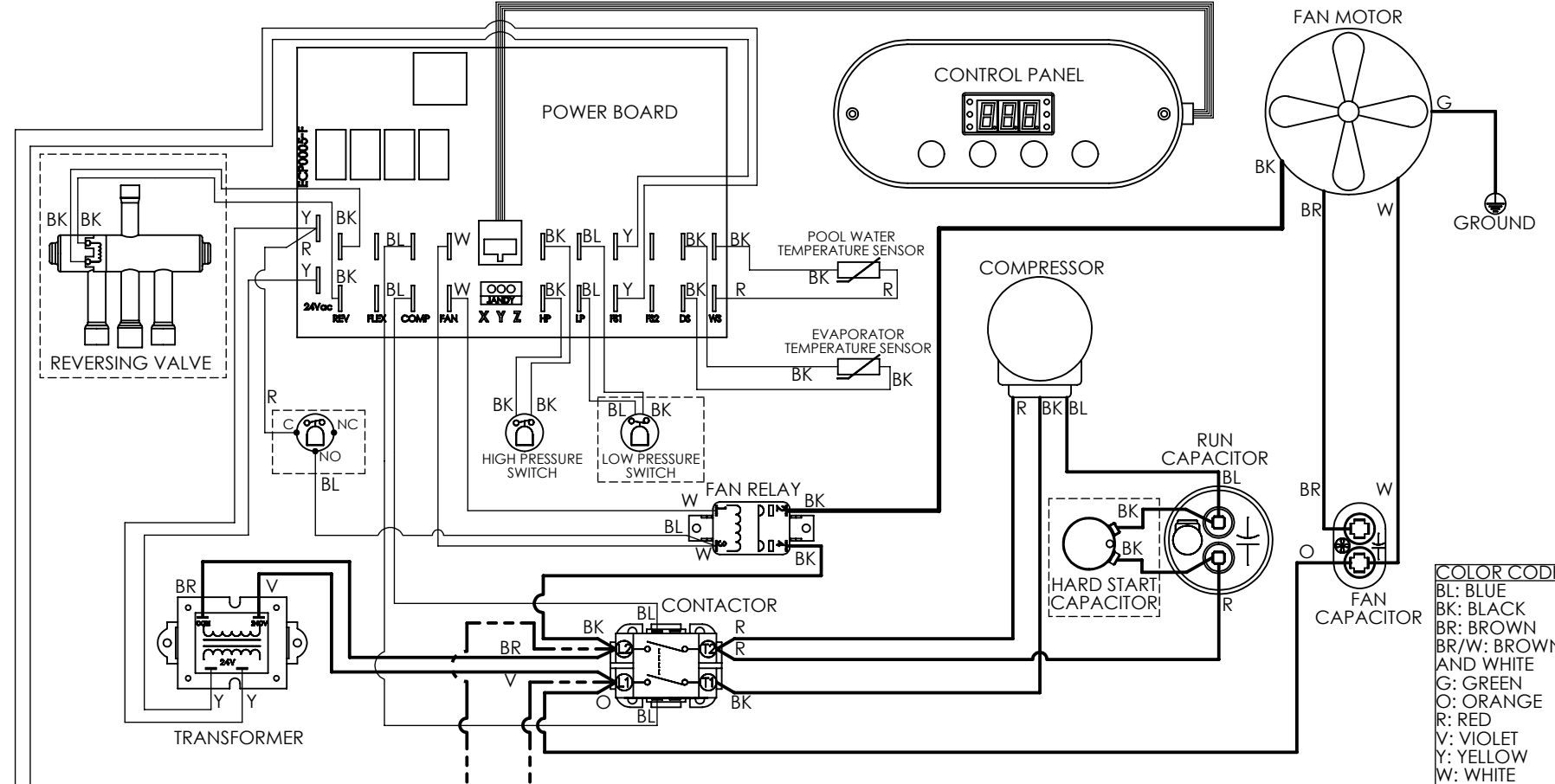
# SERVICE PARTS

T035HRDSBND

SCHEMATIC	LTM0735
REFRIGERANT CHARGE	60 OZ
<b>MAJOR COMPONENTS</b>	
COMPRESSOR	COS0054
CONDENSER	STK0118
EVAPORATOR	ACP0021
FAN MOTOR	ECS0045
TXV	REP0044
FAN BLADE	MBP0003
FAN GRILL	GRP0021
<b>REFRIGERANT PARTS</b>	
COREMAX REFRIGERANT ACCESS PORT	RES1058
FILTER DRIER	RES2055
HIGH PRESSURE	STK0074
LOW PRESSURE (OPTIONAL)	NA
REVERSING VALVE	RES0002
<b>ELECTRICAL PARTS</b>	
COMPRESSOR WIRE SET	ECS0277
CONTACTOR	ECS0073
CONTROL PANEL	STA0062
DEFROST SENSOR	6105D
FAN CAPACITOR	ECS0044
FAN RELAY	ECS0001
MICROPROCESSOR	ECS0005
PHASE ROTATION MONITOR	NA
RUN CAPACITOR	ECS6059
START CAPACITOR	ECP0233
TRANSFORMER	ECS6209
WATER PRES. SWITCH	0015S
WATER TEMP SENSOR	6105D
<b>PLUMBING PARTS</b>	
2" UNIONS	PLS2627
THERMOSTAT WELL	STK1113A

- NOTES UNLESS OTHERWISE SPECIFIED:  
 1. USE COPPER CONDUCTORS ONLY.  
 2. TO BE WIRED IN ACCORDANCE WITH NAT'L ELEC (NEC) & LOCAL CODES.  
 3. CONNECT TRANSFORMER TO CORRECT VOLTAGE.  
 4. LINE VOLTAGE CODES:  
 A: 208-230VAC/60HZ/1Φ  
 H: 200-240VAC/50HZ/1Φ

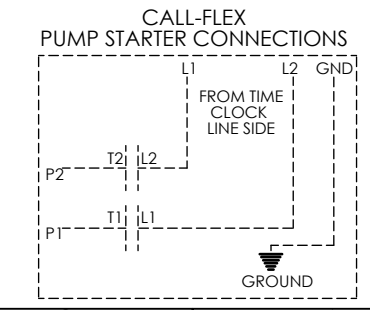
REVISION TABLE			
REV.	PCA NUMBER/DESCRIPTION	CHANGED BY	DATE
DEV-C	ADDED OPTIONAL BOX TO LP SWITCH	TOMD	2/16/2015




**COLOR CODE**

- BL: BLUE
- BK: BLACK
- BR: BROWN
- BR/W: BROWN AND WHITE
- G: GREEN
- O: ORANGE
- R: RED
- V: VIOLET
- Y: YELLOW
- W: WHITE

24VAC
OPTIONAL
LINE VOLTAGE
FIELD WIRED LINE VOLTAGE






**AquaCal**

*The Innovative Leader In  
Pool & Spa Water  
Conditioning Equipment*

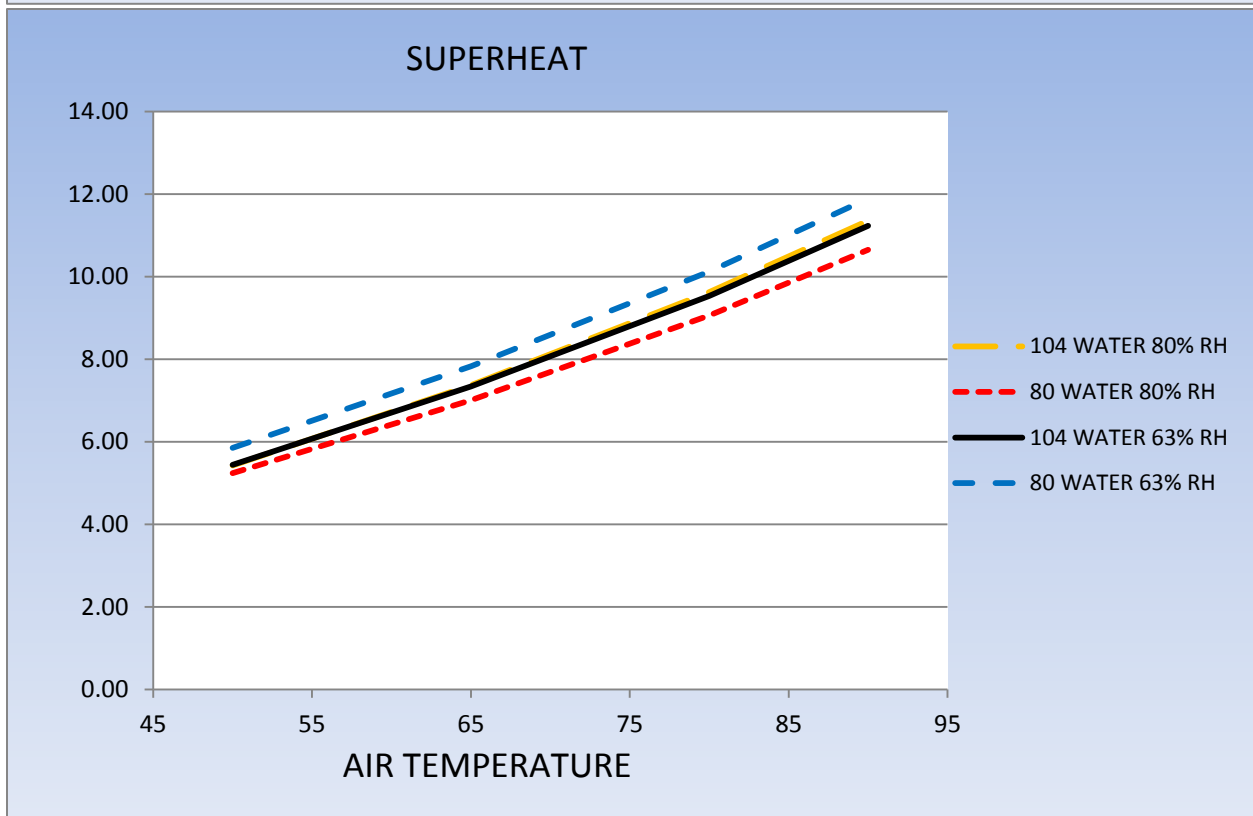
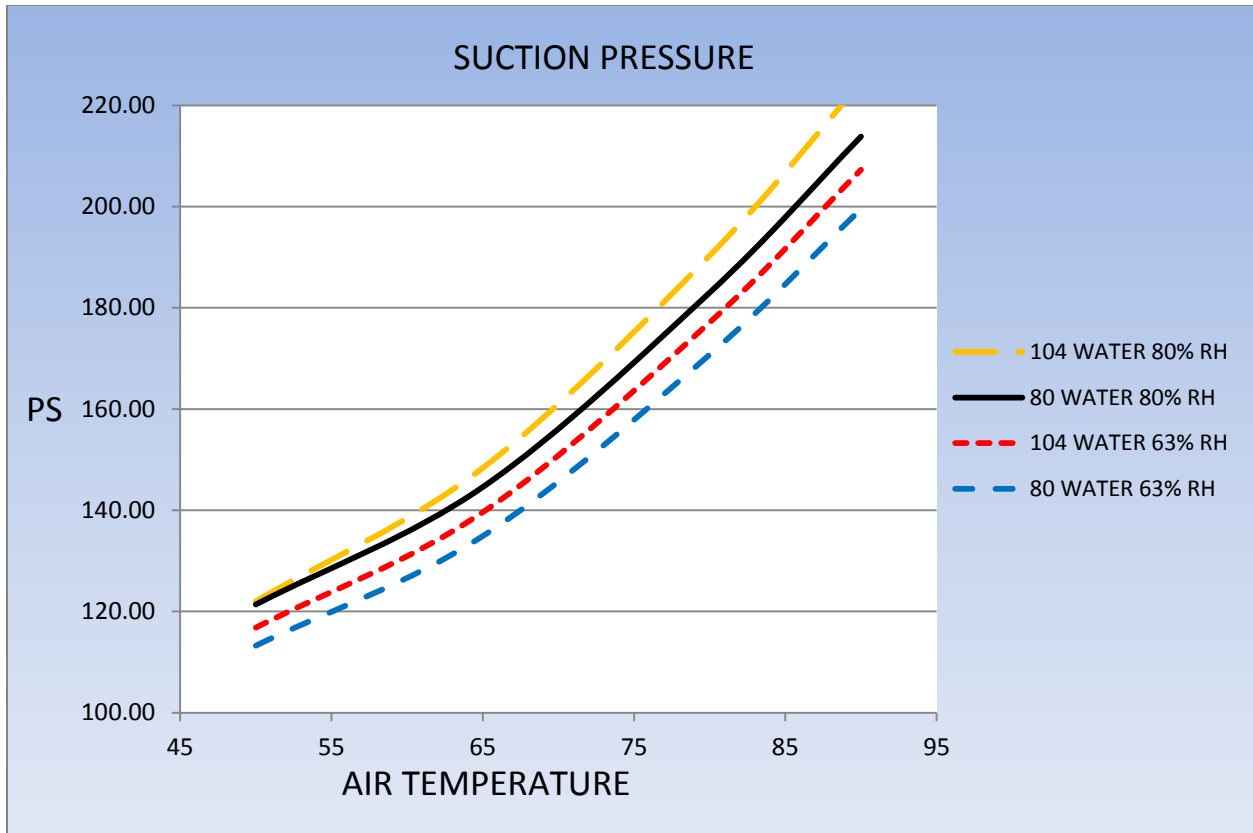
2737 24th St. No.  
St. Petersburg, FL 33713



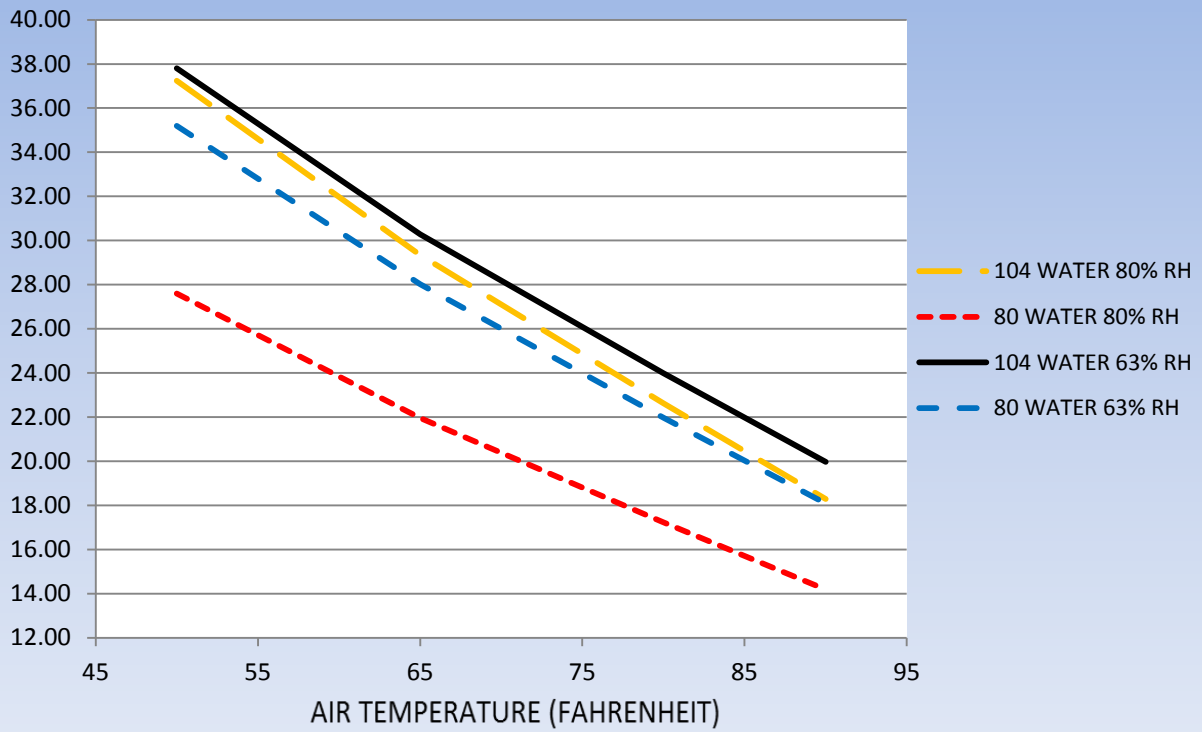
**AUTOPILOT SYSTEMS**  
INC.

SALT CHLORINE GENERATORS

CAD GENERATED DRAWING, DO NOT MANUALLY CHANGE	UNLESS OTHERWISE SPECIFIED, DIMENSIONS ARE INCHES (MILLIMETERS)	<b>SCHEMATIC, 1PH, 3-WIRE FAN</b>			
	TOLERANCES: DECIMALS      ANGLES				
TBD	TBD	MODELED BY: TD	DRAWN BY: XXX	PROJECT ENG: TD	CHK'D BY: TD
		DATE: 5/13/13	DATE: 1/1/2011		
MATERIAL		INFORMATION CONTAINED IN THIS DRAWING IS THE SOLE PROPERTY OF AQUACAL AUTOPILOT, INC. ANY REPRODUCTION IN PART OR WHOLE WITHOUT WRITTEN PERMISSION OF AQUACAL AUTOPILOT, INC. IS PROHIBITED.			
FINISH		DWG. NO. <b>LTM0735</b>		SCALE	DWG SIZE
DO NOT SCALE DRAWING		1:4	A	REVISION	DEV-F
		CAD FILE: LTM0350		SHEET 1 OF 1	



### SUBCOOLING



### DISCHARGE

