

This manual applied to heat or heat-cool digital units in production as of 6/1/05. Version represented here is a revision of the original manual.

HEATWAVE

and

Aerotemp

H E A T P U M P S

Pool and Spa Heat Pump Owner's Manual -and- Installation Guide

PN: LTP0051
8/10/05



Models:
100, 120, & 155
HEATING ONLY
and
HEATING - COOLING

Additional Labels:

APS
Fox Smart
South Beach
Tropez



ATTENTION INSTALLER:

THIS DOCUMENT IS PURCHASER'S PROPERTY AND IS TO REMAIN WITH THE HEAT PUMP OWNER



TABLE OF CONTENTS

WELCOME TO THE TEAM -----	5
IMPORTANT FEATURES OF YOUR NEW HEAT PUMP -----	6
HOW A HEAT PUMP WORKS -----	7
SAFETY INFORMATION -----	8
QUICK START & STOP -----	10
HEATER CONTROLS -----	12
Control Panel Layout -----	12
Buttons, Lights, and Display -----	12
Operational & Programming Codes -----	13
Owner-Level Programming (complete) -----	14
MAINTENANCE AND GENERAL OPERATION -----	18
General Maintenance -----	18
Safety During Cleaning Operations -----	18
Maintaining Proper Water Flow -----	19
Controlling Water Chemistry -----	19
Controlling Irrigation and Storm Water Run Off -----	20
Maintaining Clearances Around Heater -----	20

(Continued on Next Page)

TABLE OF CONTENTS

(CONTINUED)

MAINTENANCE AND GENERAL OPERATION...CONTINUED:

Heating Tips-----	21
Heating in Cooler Weather-----	21
Pool/Spa Blankets-----	21
Pool & Spa Combination Heating-----	21
Spa Set-Back Option-----	21
Calculating Initial Heating Time-----	22
Seasonal Use & Shut Down-----	23
(Use) During the Swim Season-----	23
Freeze Protection and Winterizing Requirements-----	23
Winterizing Procedure-----	24
AquaCal Preventive Maintenance Program-----	25
TROUBLESHOOTING (No Op, No heat, Water from Unit)-----	26
Troubleshooting Flowcharts-----	27
DEALER-SPECIFIC INFORMATION (Installation & Set Up)-----	31
Dealer-Specific Table of Contents-----	32
CONTACTING THE FACTORY-----	58

Welcome to the Team



Dear Owner:

Congratulations on your wise decision to make an AquaCal heat pump part of your home. Since 1981, AquaCal has maintained the worldwide lead in the manufacture of swimming pool & spa heat pumps. Your new heat pump is not only a great investment, but also the most cost effective method available for heating pools and spas. For example, your heat pump is up to 400% more efficient than gas, and, when compared to electric resistance heat, your heat pump is nearly 600% more effective. You can rest assured your new heat pump is of the highest quality and efficiency, and is designed and built to provide years of trouble-free operation.

Moreover, should you decide you would like AquaCal to provide regular inspection and maintenance of your heat pump—*which we do recommend*—you will find AquaCal's factory-trained service staff is the largest and most-qualified in the pool & spa heat pump industry.

“You can rest assured knowing your new heat pump is of the highest quality and efficiency, and is designed and built to provide years of trouble-free operation.”

Important Features of Your New Heat Pump



ThermoLink® Heat Exchanger

The heart of your heat pump is the patented ThermoLink® heat exchanger. The primary cause of premature heat pump demise is the failure of the heat exchanger. Ordinary heat exchangers are made from a cupronickel alloy. This cupronickel material is susceptible to attack from the sanitizers used in pools and spas, and from other related water chemistry conditions. Once the heat exchanger fails, the heat pump is ruined. The ThermoLink® heat exchanger tube is made from titanium, and is virtually impervious to water chemistry damage.

Scroll Compressor

50% fewer moving parts than standard piston-type compressors. This equates to much improved reliability and improved efficiency. Scroll compressors are also much quieter in operation than their piston-type counterparts.

Digital Controller

Digitally-based microprocessor controls water temperature to within 1° Fahrenheit of set point. Controller also permits user to predefine different pool and spa water temperatures, and to prevent tampering by locking out controls via a pass code.

Heat & Cool Capability*

Puts you in full control, year round... Warms your pool or spa with the reliability and efficiency of our other heat pumps, but, with the flip of a switch, can also cool your pool or spa to refreshing temperatures during the hot summer months. For cooler climates, Icebreaker® heat pumps offer unique advantages over passive defrost models. Please read more below...

Hot Gas Defrost*

Your Icebreaker® heat pump is uniquely equipped for active defrost. Active defrost involves directing hot refrigerant gas to the heat collector, melting accumulated ice away in a matter of a few minutes—then right back to heating. Standard heat pumps may remain “off in defrost” for extended periods during very cold weather. Because of its ability to continue to operate—even during freezing weather—your Icebreaker® extends the swimming season longer than any other heat pump.

Corrosion-Proof Cabinet

The cabinet, being made from resilient, UV-Protected ABS material, can never rust, fade or corrode. You can expect the cabinet to retain a like-new appearance with only an occasional wash down and—if so desired—a quick waxing.

* Icebreaker® Models Only

PLEASE READ FURTHER TO BECOME FAMILIAR WITH ALL THE FEATURES, THE SAFE OPERATION, AND THE CARE OF YOUR NEW HEAT PUMP.

HOW A HEAT PUMP WORKS

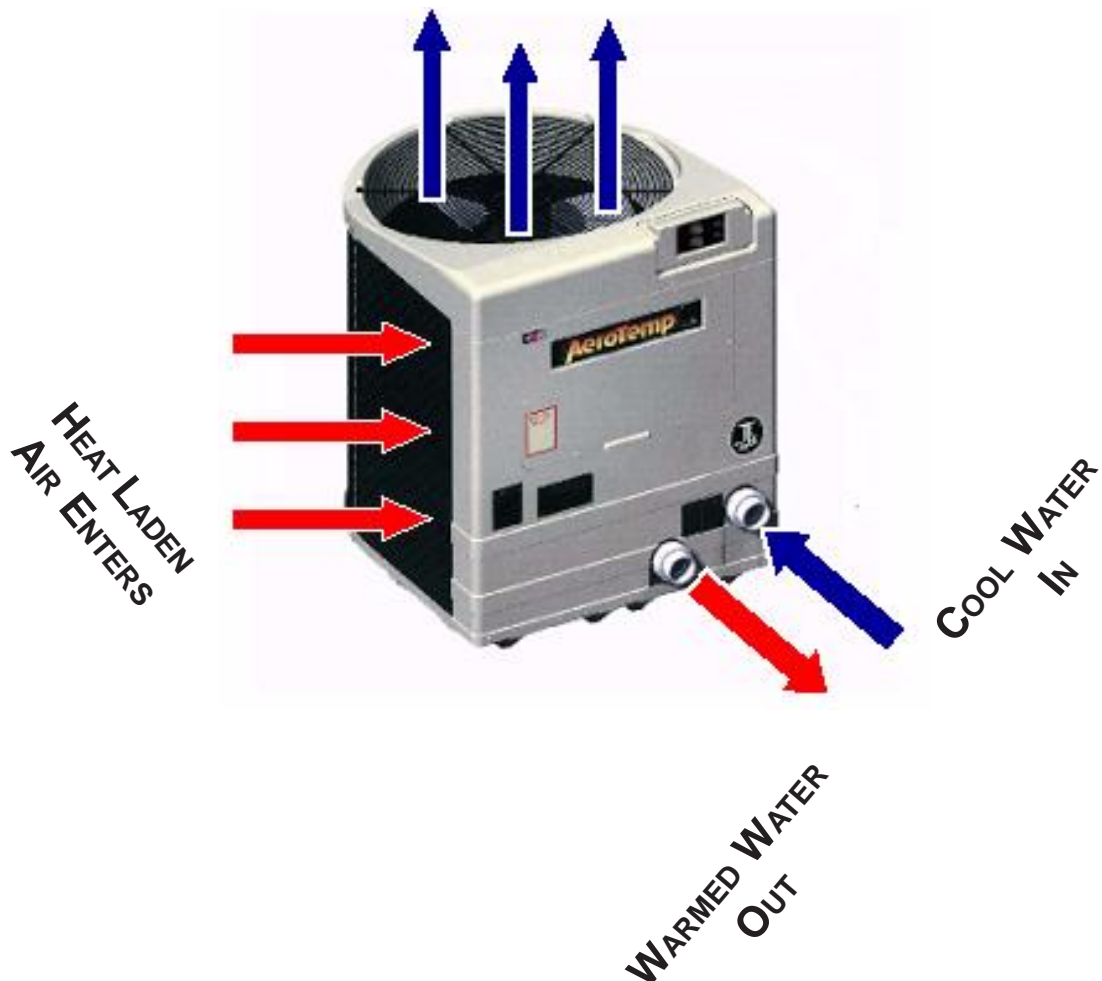
THE FOLLOWING EXPLANATION IS PROVIDED TO HELP YOU IN UNDERSTANDING
WHAT TO EXPECT FROM YOUR HEAT PUMP...

A Heat Pump Does Not Make Heat...

Heat pumps are so extraordinarily efficient because they do not need to *produce* heat in order to warm pool or spa water. Rather, heat pumps simply *transfer* heat from the outside air into the water.

If one considers absolute "0"—the point where all heat is absent—occurs at 459° Fahrenheit below zero, it becomes evident outside air—even at the relative cool temperature of 55° Fahrenheit—still contains large amounts of heat energy. It is that abundant heat energy a heat pump captures and places into your pool or spa.

HEAT REMOVED FROM AIR... COOL AIR OUT



SAFETY INFORMATION

Used and maintained properly, your heat pump will provide year-upon-year of safe and economical service. However, as with any mechanical or electrical device, to get the most from your heat pump—while insuring personal safety for you and others—certain operational and maintenance factors must be observed.

Likewise, excepting a few minor owner-capable maintenance items (explained later in this manual), repair and service of your heat pump must be performed only by experienced service personnel. Should you, the owner, suspect your heat pump is not performing properly, by referring to the section in this manual entitled: "Troubleshooting," you will be able to determine if a call for service is required. Your installer can be one source of service, or AquaCal Customer Support personnel stand ready to assist you at: (800) 786-7751. For questions concerning installation, modifications, operation, service and upkeep, please contact your installer or AquaCal Customer Support. Warranties may be voided if the heater has been used, maintained, or repaired improperly.

In addition to voiding the manufacturer's warranty... unapproved installation methods, nonstandard modifications, poor or incorrect maintenance, service by unqualified personnel, or improper use of the heater may result in personal injury and/or property damage. For personal safety, and to avoid damage to equipment, follow all safety instructions displayed on the heat pump and within this manual.

Safety Signals

Throughout this manual the following two safety signals are placed where particular care is required. Please note "WARNING" relates to personal safety, while "CAUTION" signals promote avoiding damage to equipment.

WARNING !

Failure to heed the following may result in permanent injury or death.

"Warning" signal appears in this manual where special attention is required for personal safety. *(Specific instructions will appear in this box.)*

CAUTION !

Failure to heed the following may result in equipment damage.

"Caution" signal appears in this manual where special care is required to avoid equipment damage. *(Specific instructions will appear in this box.)*

Notice: Heater NOT Repairable by Owner

WARNING !

Failure to heed the following may result in permanent injury or death.

Heat pumps contain no owner-repairable components. Repairs must not be attempted by untrained and/or unqualified individuals. If service is deemed necessary, contact installing dealer or AquaCal Customer Support at (800) 786-7751.

Refrigerant Circuit Service Only by Qualified, EPA Certified Technician

WARNING !

Failure to heed the following may result in permanent injury or death.

Heater contains refrigerant under pressure. Repairs to the refrigerant circuit must not be attempted by untrained and/or unqualified individuals. Service must be performed only by qualified HVAC technicians. Recover refrigerant to relieve pressure before opening system.

Water Temperature Safety

WARNING !

Failure to heed the following may result in permanent injury or death.

Prolonged immersion in water warmer than normal body temperature may cause a condition known as HYPERTHERMIA. The symptoms of hyperthermia include: unawareness of impending hazard, failure to perceive heat, failure to recognize the need to exit the spa, and unconsciousness. The use of alcohol, drugs, or medication can greatly increase the risk of fatal hyperthermia. In addition, persons having an adverse medical history, or pregnant women, should consult a physician before using a hot tub or spa. Children and the extreme elderly should be supervised by a responsible adult.

Water Chemistry Safety

WARNING !

Failure to heed the following may result in permanent injury or death.

Improper water chemistry can present a serious health hazard. To avoid possible hazards, maintain Pool/Spa water per standards detailed later in this manual..

CAUTION !

Failure to heed the following can result in damage to equipment.

While your heat pump's titanium-based heat exchanger provides nearly impervious protection against poor water chemistry, improper water chemistry may cause expensive damage to pump, filter, pool shell, etc. To avoid equipment damage, maintain Pool/Spa water per standards detailed later in this manual.



Getting Started

HEATING- QUICK START & STOP

This brief information is provided as an aide to installers, service personnel, and owners. The intent of this section is to provide rapid access to very basic operational information. Individuals who will be routinely using, installing, maintaining, and servicing this heat pump, are strongly encouraged to read this entire manual. Herein, the terms: *Heat Pump*, *Heater*, and *Unit* are used synonymously. **These instructions are intended for local control of a heat pump, independent of an external controller. Owners: if your installation includes an external controller, contact your installing dealer for operational instructions.**

These instructions are for quick-starting in the HEATING mode... **Owners of Heat-Cool units**, in order to utilize all features of their heater, will certainly want to also refer to: Owner Level Programming, beginning on page-14 of this manual.

1. Verify Electrical Power is Present at Heater:

- A. Ensure that the unit has electrical power connected; the heater controller display should be illuminated.
- B. If the display is blank, be certain the electrical breaker, and heater disconnect, are switched to "ON."
- C. For now, leave the water circulation pump OFF.

2. Set the Heater Controls (Refer to Control Panel Layout, Pg-12):

OWNER- If heater is connected to a Call-Flex controller, also see "Selecting Call-Flex Pump Options," located on page-17 of this manual.

INSTALLER- Is heater connected to an external controller? If so, see external controller information located on pages 44 and 47 of this manual.

- A. The user/owner settings can be made without water flowing. Once the heater has electrical power connected, with water *not* flowing, the display should read FLO.
- B. Press the MODE button until the HEAT (HEA) indication displays. This action will enable the remaining programming keys.
- C. Using the POOL / SPA selector key, select the POOL mode. An illuminated POOL indicator light, located on the left side of the display, will confirm the POOL control has been selected. If heating *only* a spa, using the DOWN arrow key, lower the POOL temperature until OFF is displayed; then proceed to Step-"E."
- D. Use the UP / DOWN arrow keys to set the desired water temperature for the POOL water.
- E. If the heat pump will be used to heat a spa, use the POOL/SPA selector key to select SPA, then use the UP / DOWN arrow keys to set the desired water temperature for the SPA. An illuminated SPA indicator light, located on the left side of the display, will confirm the SPA control has been selected. If heating *only* a POOL, using the DOWN arrow key, lower the SPA temperature until OFF is displayed.
- F. The heat pump controls are now set to maintain the desired water temperature for the POOL and/or SPA.

(Quick-Start & Stop Continued Next Page)



HEATING-QUICK START & STOP (continued):

3. To Begin Heating:

- A. Verify MODE is set to: HEAT (HEA); then, depending on which body of water is to be heated, use the POOL / SPA selector key to select POOL or SPA.
- B. Position external water valves appropriately to flow water to & from the body of water and through the heater.
- C. Start the water pump; the fan will start, and within 4-minutes (depending on the status of the controller's internal time delay) the unit will begin heating. The selected body of water will be brought to temperature and maintained per the setting determined previously in: "Set the Heater Controls."
- D. In operation, whenever the actual (displayed) water temperature falls below the desired set point, after an initial time delay of 4-minutes, the unit will begin heating.

NOTE: THE HEATER CONTROLLER INCORPORATES AN ANTI-SHORT CYCLE TIME DELAY. SHOULD OPERATION BE INTERRUPTED, RESTART WILL BE DELAYED BY APPROXIMATELY 4-MINUTES.

4. Program Filter Pump Run Time:

Most pool/spa systems utilize a timer or multifunction controller to manage filter pump run times. If your system incorporates such a device, follow the instructions below:

- A. It will be necessary to allow the filter pump to run continuously until the water has reached the desired temperature. If a timer controls the pool filter pump, it will be necessary to override the timer to allow 24-hr. operation.
- B. Once the desired temperature has been obtained (1-4 days), reset the pump control device. Colder months require longer running times—generally eight to twelve hours/day.
- C. A heat pump can only operate when the filter pump is running. Therefore, it may be necessary—during cooler weather—to extend the water pump's hours of daily operation. The increased run time is necessary in order to keep up with increased, weather-related heat losses.

5. Continuous Usage and Water Around Heater:

Condensation... After the heat pump has been operating for some time, water may be observed surrounding the heater. The moisture seen is condensation produced as a normal by-product of transferring heat from the air into the pool or spa water. Quantities of 6-8 gallons of water produced per hour are common if the air humidity is high. Conversely, a low humidity condition may result in no condensation being produced. (If water around unit seems excessive, to troubleshoot, see page-26, "Water Coming from the Heat Pump.")

6. To Stop the Heat Pump:

- A. Select: OFF via the MODE selector. This method of shut down preserves the controller settings;
- B. An interruption of water flow—such as when a pump timer is in control—will also halt heat pump operation.

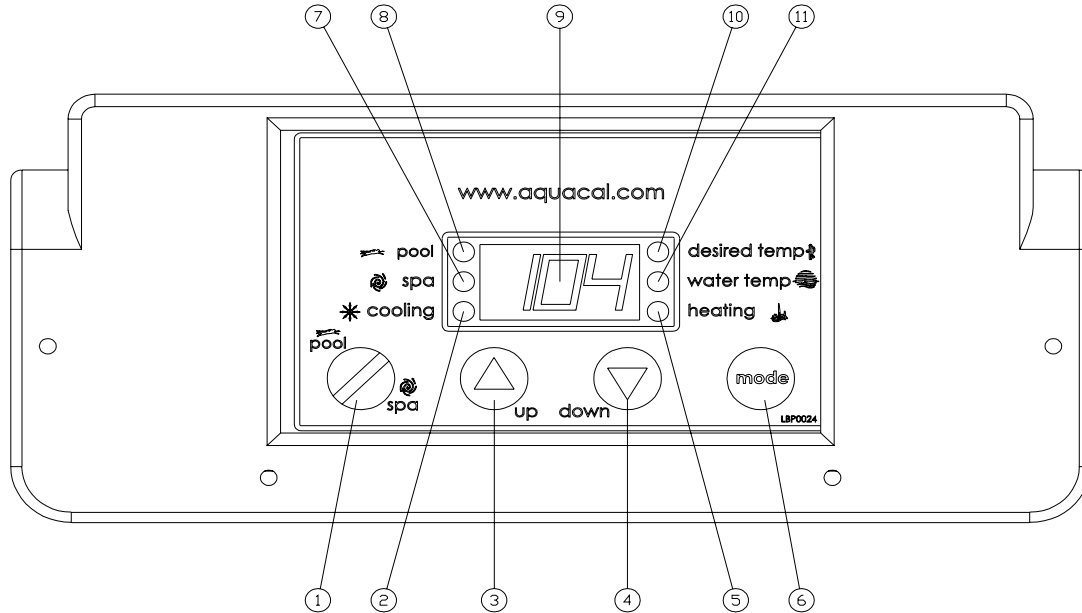
(End... Quick-Start & Stop)



HEATER CONTROLS

Control Panel Layout

(APPEARANCE VARIES BY MODEL)



Control Buttons, Indicator Lights, & Display

(AS INDICATED BY CIRCLED NUMBERS)

- 1) **POOL / SPA SELECTOR** – Selects either pool or spa thermostat.
- 2) **COOLING INDICATOR LIGHT** – Indicates unit is cooling. (Note: this light nonfunctional with heat-only models.)
- 3) **UP ARROW** – Increases temperature setting. (Maximum setting is 104 °F)
- 4) **DOWN ARROW** – Decreases temperature setting. (Minimum setting is 45 °F)
- 5) **HEATING INDICATOR LIGHT** – Indicates unit is heating.
- 6) **MODE SELECTOR** – Used to select between the Heating, Cooling, Auto-Changeover, and Off for Heat & Cool models. Used to select between Heating and Off for heat-only models.
- 7) **SPA INDICATOR LIGHT** – Indicates heater is referencing spa thermostat.
- 8) **POOL INDICATOR LIGHT** – Indicates heater is referencing pool thermostat.
- 9) **LED DISPLAY** – Displays water temperature when no keys are being pressed. Displays desired temperature when UP ARROW or DOWN ARROW is pressed. Also displays operational, programming, and fault codes as applicable.
- 10) **DESIRED TEMPERATURE LIGHT** – Indicates temperature set point is being displayed. Indicates temperature set point is being changed due to the UP ARROW or DOWN ARROW being pressed.
- 11) **WATER TEMPERATURE LIGHT** – Indicates current water temperature is being displayed.



HEATER CONTROLS...continued

Operational & Programming Codes

THE FOLLOWING CODES WILL BE DISPLAYED AS PART
OF THE NORMAL OPERATION OF THE HEATER:

- FLO.....** No Water Flow Detected. This code appears whenever the circulating pump is off, or when the heater is not receiving correct water flow.
- OFF.....** System is Off. This code appears whenever heater has been turned off via the mode selector button, or when the temperature set point has been lowered below 45 °F.
- CFI.....** Celsius/Fahrenheit Selection. This is a programming entry point to select in which format the water temperature will be displayed.
- ULC.....** User Lock Code. This is a programming entry point; when activated, steps to the next menu level: ELC.
- ELC.....** Enter Lock Code. This a programming entry point; permits end user to select a secret code, thereby limiting access to the owner settings.
- CFO.....** Call Flex Options. This is a programming entry point; when used in conjunction with an AquaCal Call/Flex add on kit, permits the use of CALL or FLEX options.
- FS.....** Heater in Defrost Mode (Applicable to Heat-Only Units, only). This code appears as a normal display during periods of lower air temperatures. Sequence follows:
Heat-Only Defrost Sequence: Fan continues to run and compressor is off. Compressor will restart when air coil temperature rises to approximately 38°F.
- LOC.....** This is a Service Entry Point (not intended for use by the owner). The[LOC] code permits service personal to enter a factory code for access to adjustable calibration and site-dependant setup parameters. Service adjustments are available to authorized installation and service personnel, only.

CAUTION !

Failure to heed the following may result in equipment damage and voiding of manufacturer's warranty.

Heat pumps contain no owner-serviceable components. Owner-initiated adjustments, beyond the controller "LOC" code, must not be attempted. If adjustments are deemed necessary, the owner should contact installing dealer or AquaCal Customer Support at (800) 786-7751.



HEATER CONTROLS...continued

Start Up & Setting Operating Controls

Owner-Level Programming Instructions (Complete)

Covered within this section are features and settings typically accessed first by the installer, and then remaining accessible by the end user (the owner). These features reside at the Level-1 access point within the microprocessor. Note: if preferred, all programming may be performed without water flow, waiting to start the water pump as the last step in the set up and run process.

1. Applying Power to The Controller:

- A. When power is first applied, the controller performs a lamp test and the display will read [888]. Following [888] the software version will display briefly.
- B. The control will then display the actual water temperature, provided the circulating pump is operating, and adequate water is flowing through the heater.
- C. If the pool-circulating pump is off, the control will display: [FLO]. This code message indicates no (or insufficient) water is being circulated through the heat pump.

2. MODE Controls Explained, and Starting the Heat Pump:

- A. Once electrical power is supplied to the heat pump, sufficient water is circulating, and the heater controller has successfully completed its self-test, the heater is ready to operate.
- B. The heat pump is shipped with the controller [MODE] function set to "OFF". There are two ways to switch the heat pump OFF: First Method- One of the functions of the [MODE] button is "OFF". Second Method- The thermostat set point can be lowered to a position below the minimum temperature setting (45°F); this action will cause the display to read "OFF". To switch the unit ON, first use the mode button to select the HEAT mode—for Heat Only models—or, if the heat pump is a Heat and Cool model, use the mode button to select one of the following modes: HEAT, COOL, or ACH (Auto-Changer Over). In the [OFF] mode, the actual water temperature will be displayed as long as the circulating pump is operational and correct water flow is present. In the event water is not circulating through the heat pump (or flow is insufficient), the controller will display the [FLO] (No Water Flow) code message.
- C. Using the UP ARROW key, increase the desired temperature until it exceeds the value of the actual temperature displayed. (Note: See # "8," later in this section, if "000" is displayed upon pressing either the up or down arrow keys.) Once the desired temperature has been entered, the display will read the actual temperature and the heat pump will start to operate. Both the compressor and the fan must be operating before the "Heating" LED will illuminate. (Note: When MODE function is OFF, the current water temperature will be displayed; no functions, values, or programming will be available for adjustment.)

3. Turning The Heat Pump Off:

- A. Method 1: using the [MODE] key, press the key until the display reads "OFF" The heater will shut off and remain off until the [MODE] key is used the select an operational mode. **This is the preferred method for shutting off the heat pump.**
- B. Method 2: using the DOWN key, press the key 2 until the desired water temperature reaches 45°F (minimum setting); then, press the DOWN key one more time, causing the display to read "OFF". This method is typically used in conjunction with 2-wire external controllers; these controllers are equipped with their own thermostats.

(Continued on Next Page)



HEATER CONTROLS...continued

Start Up & Setting Operating Controls

Owner-Level Programming Instructions... continued:

4. Selecting Pool/Spa Thermostat Settings:

- A. Press the [POOL/SPA] key to toggle between the pool and the spa temperature set points.
- B. The pool/spa LED indicator lights, located to the left of the temperature display, will confirm the selected set point.

5. Changing The Pool Temperature Set Point:

- A. Using the [POOL/SPA] key, select the POOL temperature set point. The pool set point indicator light will confirm the selection.
- B. The pool temperature set point is adjustable from a minimum of 45°F to a maximum of 104°F. Pressing the [UP ARROW] key will raise the set point 1-degree for every push of the button. Pressing the [DOWN ARROW] key will lower the set point 1-degree for every push of the button.

6. Changing The Spa Temperature Set Point:

- A. Using the [POOL/SPA] key, select the SPA temperature set point. The spa set point indicator light will confirm the selection.
- B. The spa temperature set point is adjustable from a minimum of 45°F to a maximum of 104°F. Pressing the [UP ARROW] key will raise the set point 1-degree for every push of the button. Pressing the [DOWN ARROW] key will lower the set point 1-degree for every push of the button.

7. Selecting Between °F and °C:

- A. Simultaneously press and hold both the [UP ARROW] and [DOWN ARROW] keys until [CF1] (Celsius / Fahrenheit) code appears.
- B. With the [CF1] code displayed, pressing the [UP ARROW] or [DOWN ARROW] keys will change the selection code to either "0" or "1". Select "1" for Fahrenheit temperature display, or "0" for Celsius temperature display. Once the desired temperature display mode has been selected, not pressing any buttons for 15-seconds will allow the controller to save the selection and return to the normal operating mode. Pressing the {POOL/SPA} key will also save the selection and step to the next menu parameter: [ULC] (User Lock Code).

8. User Lock Code Option [ULC]:

This Option Explained:

Heat pumps are shipped from the factory with the [ULC] option disabled. Enabling the [ULC] function permits the heat pump owner to restrict access to the unit's controls. With the [ULC] function enabled, unless the correct ULC code number is entered, changes to Level-1 programming are not possible. (I.e.: Altering temperature set points, Pool/Spa selection, C/F display changes, etc., will not be possible). The [ULC] option can be thought of as an electronic lockable cover for the controls.

(Continued on Next Page)



HEATER CONTROLS...continued

Start Up & Setting Operating Controls

Owner-Level Programming Instructions... continued:

8. User Lock Code Option [ULC]...continued:

A. Selecting ULC Option:

- 1) Press either the UP or DOWN ARROW keys; if "LOC" is momentarily displayed followed by "0", the ULC feature is enabled. If "0" displays proceed to "6)" of this section; otherwise, see number "2," below.
- 2) Simultaneously press and hold both the [UP ARROW] and [DOWN ARROW] keys until [CF1] (Celsius / Fahrenheit) code appears.
- 3) Press the [POOL/SPA] key once to display [ULC].
- 4) With [ULC] displayed, pressing either the Up or Down Arrow key will display either "1" or "0". Selecting "0" will allow the keypad to remain unlocked. Selecting "1" will enable the User Lock Code option. Then to enter a lock code number, press the [POOL/SPA] key once to display [ELC] (Enter Lock Code).
- 5) With [ELC] displayed, use the Up or Down arrow keys to select a lock code. The code can be any number from "00" to "99". The factory set lock code is "0". Not pressing any buttons for 15-seconds will allow the controller to save the selection and return to the normal operating mode. Pressing the [POOL/SPA] key will also save the selection, and will step the controller to the next menu parameter: [CFO] (Call Flex Options).
- 6) Once the ULC option has been enabled, pressing any key will momentarily display "LOC" followed by "0" (prompting the entry of the correct lock code number). To gain access to the controller:
 - a. Using the [UP ARROW] key, scroll to the correct lock code number, then;
 - b. Press the [POOL/SPA] key... Current water temperature will be displayed... Control setting can now be viewed or changed as desired.
 - c. After a period of approximately four (4) minutes, during which time no buttons have been pressed, the controller will automatically return to the locked mode. Provided ULC selection is set to "1," the controller will always fail-safe in the locked mode.
 - d. Without knowledge of the correct lock code, and with the ULC enabled, control adjustments will not be possible. **Be certain to record your lock code in a safe place.** The lock code may be changed any number of times by following the instructions detailed in this section.

B. De-Activating the User Lock Code [ULC] function:

- 1) Following the instructions detailed previously at: "8, 6)", press any key and enter the user lock code number; then press the [POOL/SPA] key.
- 2) Immediately following the entry of the user lock code, simultaneously press and hold the [UP ARROW] and [DOWN ARROW] keys until the code [CF1] appears on the display.
- 3) Then, use the [POOL/SPA] key to scroll to the [ULC] message; press the [DOWN ARROW] key to change the display to "0". This will disable the User lock function.

(ULC Continued on Next Page)



HEATER CONTROLS...continued

Start Up & Setting Operating Controls

Owner-Level Programming Instructions... continued:

C. User Lock Code is Activated, but Pass Number is Not Known (“Back Door Entry”):

Note: Should the ULC option be enabled, and a lock code number other than the factory default (0) be installed but is unknown, the following procedure may be followed to regain controller programming access:

- 1) Simultaneously press and hold the [POOL/SPA] and [UP ARROW] keys until the display shows “888”. This operation will reset the controller to the factory default settings.
- 2) When reset to the factory default settings the user lock code [ULC] is deactivated and the user lock code number [ELC] is reset to “0.”
- 3) In addition, all other settings are returned to the factory defaults. If an external controller is in use, contact AquaCal Technical Support Group (800-786-7751); ask for assistance with re-configuring the controller for use with an external controller.

9. **Selecting Call-Flex Pump Options [CFO]:**

General Information:

The Call-Flex option automatically adjusts the run time of the water circulator pump, and heater, based upon changing weather conditions. Without Call-Flex, as weather conditions grow progressively cooler during winter months, or when unusually cold weather occurs, the run duration of the circulator pump may require manual adjustments to permit the heater to maintain or reattain desired water temperature (the water pump must be running in order for the heater to operate). Likewise, without Call-Flex, one must remember to reset the pump run controls following the cold weather event. The Call-Flex option greatly reduces the need for seasonal, manually-made, pump run time adjustments. Call-Flex is a dealer-installed option that does not come with every heater; if unsure, check with the installing dealer to determine if a call-flex kit was part of the original installation. If Call-Flex was not part of the installation, and you would like to have Call-Flex added, your dealer can do so...contact the installing dealer.

If the installation is equipped with the Call-Flex option, the following steps are used to control the Call-Flex features:

- A. Simultaneously press and hold the [UP ARROW] and [DOWN ARROW] keys until the display shows “CF1”. Press the [POOL/SPA] key three times to scroll the display to [CFO].
- B. With the [CFO] (Call-Flex Options) code displayed, use the Up or Down keys to select “0” to disable the Call Flex Options, “1” to enable the Call Option, or “2” to enable the Flex Option. Not pressing any buttons for 15-seconds will allow the controller to save the selection and return to the normal operating mode. Pressing the {POOL/SPA} key will also save the selection, and will step the controller to the next menu parameter: [LOC] (Service Lock Code).
- C. For further information, please refer to Call-Flex installation instructions, shipped with the Call-Flex kit. For additional copies of these instructions, contact the AquaCal Customer Support (800-786-7751).

(End... Owner-Level Programming Instructions)



MAINTENANCE & OPERATIONAL RECOMMENDATIONS

The information in this section is written primarily for the Home Owner, but may also apply to servicing dealers or HVAC service centers. This section contains information concerning planned maintenance, proper water flow, maintaining proper clearances, as well as other vital information. Please read this section now, and before calling AquaCal Customer Support (800-786-7751).

General Maintenance

Heat pumps should be inspected and maintained on an annual basis by a qualified swimming pool heat pump specialist. Additionally, if the heat pump is located on the beach, or at a sea wall where salt spray and sand can become detrimental factors, more frequent service may be necessary. For service plan information, please see: [Planned Maintenance Program](#), later in this section, and then contact AquaCal Customer Support at: 800-786-7751.

While annual maintenance is recommended to maintain your warranty, if you choose not to participate in the Planned Maintenance Program, rinsing the air coil regularly, and keeping the base of the unit clear of leaves and debris is a necessity.

Should you as the owner desire to perform the coil rinsing and other cosmetic care of the heat pump, please contact AquaCal Customer Support: 1-800-786-7751; request the document titled: "[Appearance Care for Air-Source Heat Pumps: Approved Method for Home Owners.](#)"

Safety During Cleaning Operations

WARNING !

Failure to heed the following may result in permanent injury or death.

POSSIBLE ELECTRIC SHOCK HAZARD . . . Should you decide to wash the heat pump via water hose, disconnect all power to the pool equipment pad- including, but not limited to: The heat pump, water pump, and any and all other electrical equipment. Do NOT spray water directly into electrical components. Do NOT restore electrical power until such time as all water has dried completely.

CAUTION !

Failure to heed the following may result in damage to equipment.

Do not use a pressure cleaner to wash heat pump Damage to evaporator fins, as well as other components, will result.



MAINTENANCE & OPERATION (continued)

Maintain Proper Water Flow

- It is important to operate and maintain the filter according to the manufacturer's specifications. As a filter gets dirty, the water flow to the heat pump is reduced. The higher the pressure on the filter gauge, the lower the flow rate.
- Similar to a dirty filter, large amounts of debris in the pump basket can reduce water flow. Keep basket free of debris.
- Check for improper valve settings. A partially closed valve after the filter, or a full-open bypass around the heater, will cause insufficient water flow through heater.
- If the conditions listed above remain unresolved, the water flow through the heater may be reduced to a point where internal safety devices (i.e.: "HP" or "HP5") shut the heater off.
- Before calling for service, always check the filter, the pump basket, and water valve positions. If the problem persists, please call AquaCal Customer Support at: (800)786-7751.

Control Water Chemistry

- **IMPORTANT!** Your heat pump is engineered for exceptional durability and reliability. And, *this* unit's heat exchanger—being equipped with titanium tubing—will be nearly impervious to water chemistry damage. However, other components of the heater, and the remainder of the pool/spa equipment in general, may be susceptible to damage from prolonged exposure to unbalanced water chemistry. Likewise, bathers may be exposed to health risks if water chemistry is not properly maintained.
- For the longevity of the entire pool/spa installation, and for the safety of bathers, it is strongly recommended the water chemistry be checked regularly and maintained within proper norms. Please see the table, below, for a complete listing of recommended water chemistry levels.

RECOMMENDED WATER CHEMISTRY STANDARDS

Chlorine	: 1.0 – 3.0 ppm in pools, 1.5 – 3.0 ppm in spas
Bromine	: 2.0 – 4.0 ppm in pools, 3.0 – 5.0 ppm in spas
pH	: 7.4 – 7.6 ppm in pools, 7.2 – 7.8 ppm in spas
Total Alkalinity	: 80 – 140 ppm in pools, 80 – 120 ppm in spas
Calcium Hardness	: 200 – 400 ppm in pools and spas
Total Dissolved Solids	: 1,000 – 2,000 ppm in pools, 1,500 ppm above start-up TDS in spas

CAUTION- Pool/Spa Refinishing Operations

During pool refinishing or acid cleaning, the water flow through the heater must be shut off. Water flow to the heater must remain off until water chemistry is once again in balance and the water is clear in appearance. Failure to follow these instructions may void heater warranty.



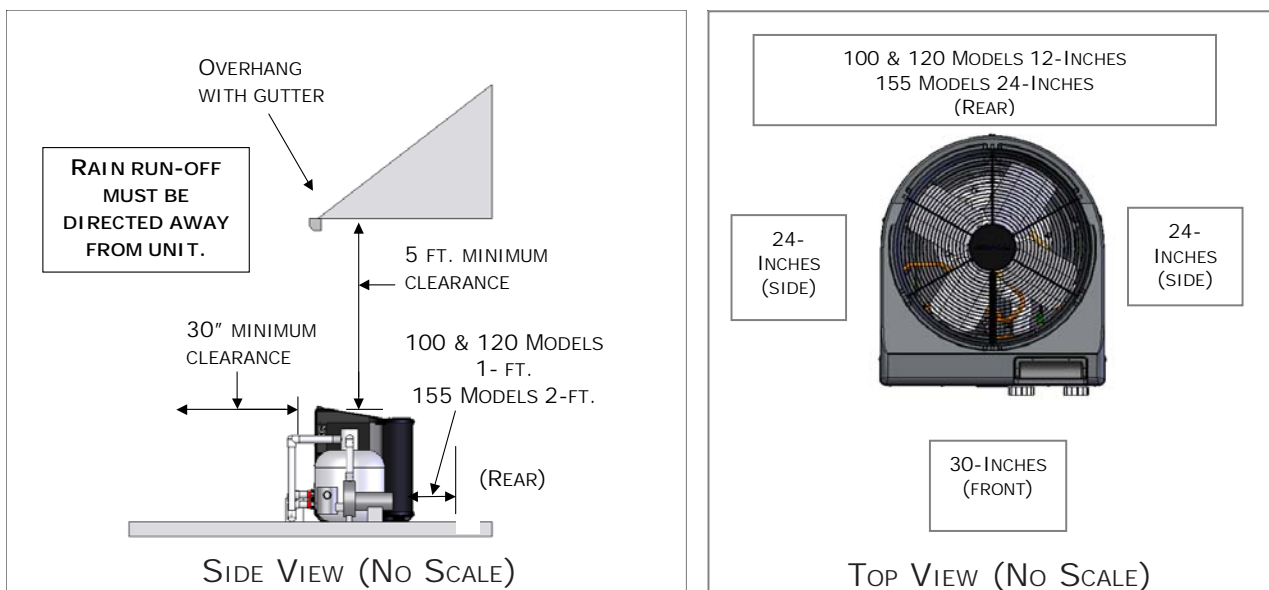
MAINTENANCE & OPERATION (continued)

Control Irrigation and Storm Run Off

- Control Irrigation: In regions where wells are used for irrigation, water quality is sometimes poor, and water spray can damage heater components. Regardless of water quality, it is important that irrigation be directed away from the heat pump.
- Prevent rain water runoff from pouring directly into the heater. The heater is designed to withstand normal rainfall, but solid streams of water from roof drip-lines may eventually damage heat pump components.
- If the heat pump resides beneath a roof edge, to promote heat pump longevity, a rain leader (gutter), or rain shield, will be necessary.

Maintain Proper Clearances Around Heater

- For maximum efficiency, proper air flow clearances around heater must be maintained.
- It is important to keep the area immediately adjacent to the heat pump clear of items such as shrubs and bushes, lawn furniture, chemicals containers, etc. These items can prevent air from circulating fully through the heater, and will result in inefficient operation or damage to the heat pump.
- In addition, do not place objects on top of the heat pump; doing so will lock the air from exiting the heater, and will result in damage to the compressor and fan motor.
- Proper clearances are also necessary in order to access the working parts of your heater. A heater that is easy to "get to," will be a heater that is easy to maintain; service and maintenance personnel will thank you for keeping the area around your heater unobstructed.
- Please see diagrams, below, for specific clearance requirements.





MAINTENANCE & OPERATION (continued)

Heating Tips

Heating in Cooler Weather...

Late night and early morning, generally being the coolest times of the day, are least efficient for heating. For most efficient heating operation, heat pumps should be timed to operate during the warmest, daylight portions of the day. Conversely, if cooling a pool, it is best to run the equipment at night. Please set water pump and heat pump controls accordingly.

Pool/Spa Blankets...

A “solar” blanket will significantly reduce your heating bills. Check with the installing dealer to see if your heat pump was sized to be used in conjunction with a blanket. Blanketed pools will typically lose only 3 - 4° of heat per night versus 8 - 10° overnight with an un-blanketed pool. Reductions of 40-60% on heating bills can be achieved by using blankets. (Idea...Contact AquaCal Customer Support (800-786-7751) to learn about Liquid Blanket innovations.)

WARNING !

Failure to heed the following may result in permanent injury or death.

Improperly used, Pool-Spa blankets can become a drowning risk to people and pets. Blankets are not safety covers. They are not designed to support the weight of a person or pet. Never enter a pool until the blanket is completely removed (under no circumstances should anyone swim under the blanket). Follow all safety recommendations of the blanket manufacturer.

Pool and Spa Combination Heating...

Everything stated for heating a pool applies for heating a spa—only the volume of water being heated is different. Your heat pump comes equipped with two thermostats. One thermostat is for the pool and the other is for the spa. Simply position the pool and spa isolation valves as directed by your installer; select the appropriate thermostat (pool or spa), whichever you are heating, and with electrical power and water flow supplied to the heater, the water will be maintained at set point.

Your system can be automated with the addition of an optional External Flow Switch Kit (P.N. 0040S). Using this option will save you from having to change the thermostat selector switch each time you change from pool-to-spa and back again. Or, add a Universal Heater Controller (P.N. 0097TS) and gain not only automatic thermostat switching, but also automated spa/pool water valve operation. For details, contact the installer, the distributing dealer, or AquaCal Customer Support (800-786-7751).

Spa Heating & Spa Setback Option...

Air blowing into your spa while it is being heated will very often neutralize or partially counteract the heat being put into the spa by the heater; this added heat loss equates to increased time to bring your spa to desired temperature. When heating a spa, be sure to turn off the air blower. Air induced through the spa jets should also be eliminated, during warm-up, whenever possible.

If your heater is being used to *only* heat a spa, the POOL thermostat can be used as a setback control: simply set the pool control at a point 10-15° F below desired spa heat temperature and select the pool thermostat. This method allows the spa—when not in use—to be held at a heated temperature, but somewhat lower than normal spa-use temperature. One would want to blanket the spa if using this setback method. Using spa setback will result in reduced warm up periods over full, cold starts.



MAINTENANCE & OPERATION (continued)

Calculating Initial Heating Time

The time it takes to initially warm your pool or spa depends on several factors.

First, determine how many gallons of water are to be heated. Knowing this, you can then compute the equivalent pounds of water involved, and the BTU's necessary to heat the volume of water to the desired temperature.

Next, find the approximate BTU output of your heat pump at the current ambient air temperature (see specifications table in this manual). Finally, decide upon the temperature at which you plan to maintain your pool or spa.

The following work sheet can be used to calculate approximately how long it will take your heater to bring your pool or spa up to temperature. Keep in mind heating times will vary somewhat due to weather conditions during the period that the heater is in use.

Pool Volume (Length X Width X Average Depth) = _____ Pool Cubic Feet

X Gallons per cubic ft.(7.5) = _____ Pool Gallonage

X Pounds per Gallon (8.3) = _____ Pounds of Water

How many degrees do you want to raise the temperature of the pool?

of Degrees _____ X Pounds of Water (per above) = _____ BTU's Required

BTU's Required (per above) _____ ÷ BTU Output of Heater = _____ Hrs. of Operation

Optional Cold Weather Adjustment Factor:

Hrs. of Operation (per above) _____ X 1.25 (60° F outside air (O.A.) Temperature Factor) =

_____ Hrs. of Operation at 60° F O.A.

At Start Up: Continuous Circulator Pump Operation Required

When starting a heat pump for the first time, it must be permitted to operate, continuously, until the desired water temperature is attained. This may take several hours, to several days, depending upon the size of the pool or spa and weather conditions.

If a time clock or similar device controls the operating times of the water circulating pump, temporarily override the water pump controller, allowing for 24-hour, continuous water pump operation.

Once the body of water has reached the desired temperature, the water pump controller can be reset.



MAINTENANCE & OPERATION (continued)

Seasonal Use & Shut Down

During the Swim Season:

- During the swim season, even if the pool or spa is not in use, allow water to flow through the heater. Doing so eliminates the need to reposition valves when you do wish to heat the pool or spa.
- During periods when heating or cooling is not desired, leave heater controls in the OFF position.

Important !!!
Information Critical to the
Survival of Your Heater
Follows...



Freeze Protection & Extended Shut Down:

In areas where freezing conditions are a rare occurrence, allow the filtration system to run continuously throughout the freeze period. Typically, during light freeze conditions, circulating (moving) water will not freeze.

In areas where freezing conditions are prevalent and sustained, the heat pump MUST be winterized; please refer to winterizing instructions, below, and on the following pages.

Winterizing for Hard Freeze Conditions:

CAUTION !	Failure to heed the following can result in damage to equipment and/or property.
Failure to properly winterize heat pump may result in serious equipment damage. Freeze damage is <u>not</u> covered under the heat pump warranty.	

CAUTION !	Failure to heed the following can result in damage to equipment and/or property.
While the plumbing connections are in the winterized condition (not fully tightened), it is imperative pool/spa water <u>not</u> be circulated through the heat pump. Loss of water through loose plumbing connections may result in damage to circulating pump, pool/spa structure, and/or other equipment.	

(Winterizing continued on page following)

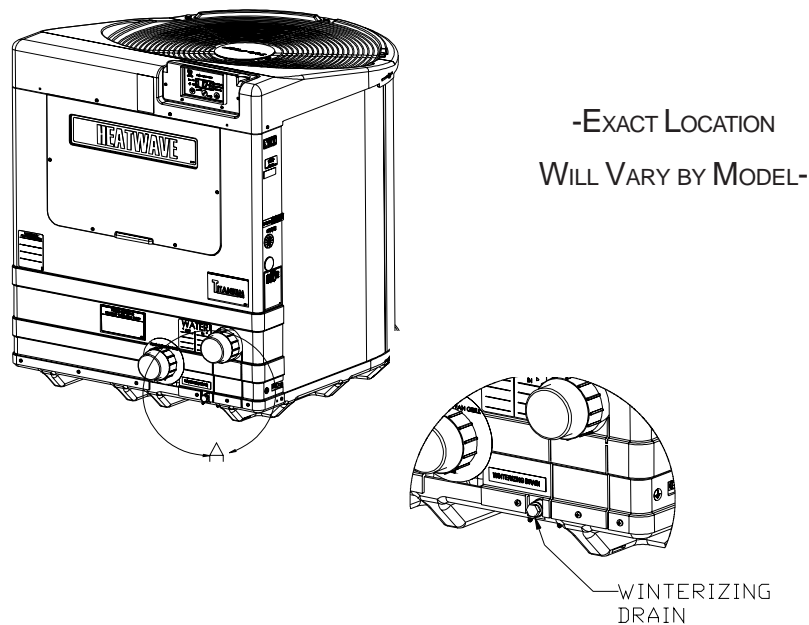


MAINTENANCE & OPERATION (continued)

Winterizing Procedure:

1. Disconnect all electrical power to the heater; turn OFF circulating pump.
2. At the two (2) connection unions, disconnect the plumbing to the heater (removal is counter-clockwise).
3. Locate the hand drain plug at lower, front corner of heater. See Figure-3 (position may vary between models). Remove plug.
4. Permit all of the water to drain out of the condenser and then replace the plug; thread the plug in clockwise until just snug, then apply an additional 1/8 turn.
5. To prevent insects and vermin from entering the plumbing during the winterized period, partially reconnect the two (2) plumbing connection unions: couple each union one or two threads; this will permit condensation to drain, but will prevent most insects and animals from entering the plumbing circuit.
6. Next Season: To ready the heat pump for use, simply retighten plumbing connection unions. Hand-tight is generally sufficient.

LOCATION OF EXTERNAL DRAIN PLUG



CAUTION !

Failure to heed the following can result in damage to equipment and/or property.

While the plumbing connections are in the winterized condition (not fully tightened), it is imperative pool/spa water not be circulated through the heat pump. Loss of water through loose plumbing connections may result in damage to circulating pump, pool-spa structure, and/or other equipment.



MAINTENANCE & OPERATION (continued)

Planned Maintenance Program

Just as you would have yearly service performed on your air-conditioning system, regular inspection and maintenance of your AquaCal heat pump will insure highest operating efficiencies. A regularly maintained heater will protect your investment, and will potentially extend the useful life of your heat pump far beyond the warranty period. Our expertly trained factory service technicians offer comprehensive maintenance procedures designed to insure your heat pump—over the coming years—will continue to operate efficiently and reliably.

The 20-Point Planned Maintenance Service Includes the Following:

- > Check Water Flow
- > Clean Evaporator Coil
- > Check Relay Contacts
- > Check Capacitor Values
- > Check Refrigerant Levels
- > Clean Heat Pump Cabinet
- > Check Fan Blade Clearances
- > Check Flow/Pressure Switch
- > Check Electrical Connections
- > Check Proper Voltage To Unit
- > Oil Fan Motor (As Applicable)
- > Check Fan Motor Amperage Draw
- > Check Pool & Spa Water Chemistry
- > Check and Clean Condensate Drains
- > Check Compressor Amperage Draw
- > Check Water Pump Amperage Draw
- > Acid Wash Source Coil (As Applicable)
- > Check Air Temperature Change Through Evaporator
- > Check Operating Controls and Temperature Sensors
- > Check Water Temperature Change Through Condenser

We recommend all heat pump owners take advantage of this annual service starting one year after the installation of the heater. You will be surprised at the minimal cost of this service— the service is very reasonably priced for what is included.

For further information, or to schedule Planned Maintenance Service, please contact AquaCal Customer Support at: 1-800-786-7751.



TROUBLESHOOTING

Also see page 52...
"Error Codes"

Heat Pump Fails to Operate...

Is the display illuminated?

If not, ensure the main breaker (located at the power supply panel) and the disconnect switch (located near the heat pump) are both turned ON.

Is the code "FLO" displayed?

If so, check to be sure that the circulating pump is operating and the filter is clean. There may also be a valve positioned incorrectly allowing water to bypass the heat pump. Be sure water is flowing through the heater.

Is the Pool or Spa thermostat selected for the correct body of water to be heated, and have you tried selecting a higher temperature setting?

If not, the actual water temperature may be above that of the selected thermostat. Raise the desired water temperature above the actual water temperature; the heater should start after an approximate five (5) minute delay. If the heat pump still fails to start, and the unit is not in defrost (defrost display code is: "FS"), contact AquaCal Customer Support: 800-786-7751.

Heat Pump Running... but is it Heating?

Is the air blowing out of the top of the unit noticeably cooler than the surrounding air?

(A 9°F to 12°F difference is typical.) If not, contact AquaCal for service at: 800-786-7751. But first, be sure all air coil surfaces are free from obstructions— low roof overhangs, landscaping, walls, fences, etc., can restrict air flow. The heat pump needs good airflow to operate at peak efficiency.

How many hours/day does the circulating pump operate?

Cooler weather conditions, or heating to a higher than normal temperature, may necessitate running the heat pump for a longer period of time. Was the heater sized considering the use of a pool blanket (check with installing dealer)? A blanket can be useful in permitting shorter run times, in turn leading to substantial energy cost savings.

What is the air outside temperature?

The heat pump may be in the defrost mode if air temperatures are below 50°F. With Heat-Only models, if the heater is in defrost, the code: "FS" will be displayed. If air temperatures are not cold, but the heater remains in defrost, contact AquaCal Customer Support at: 800-786-7751.

Water Coming from the Heat Pump...

Is it a leak or just condensation from normal operation? Here's how to find out.

Shut the heat pump off, leaving the circulation pump running. Within a few hours, there should be a marked reduction in the amount of water seen around the bottom of the heat pump. If the water appears to be drying up, the water is probably harmless condensate, indicative of normal operation.

Or, as an alternate method, test the water draining out the heater base for the presence of the sanitizer being used in the pool or spa. Using a water test kit, or a test strip, check a sample of the water for chlorine or bromine. If the sample tests positive for sanitizer, call AquaCal for service at: 800-786-7751. If the test is negative, the water is probably harmless condensate.

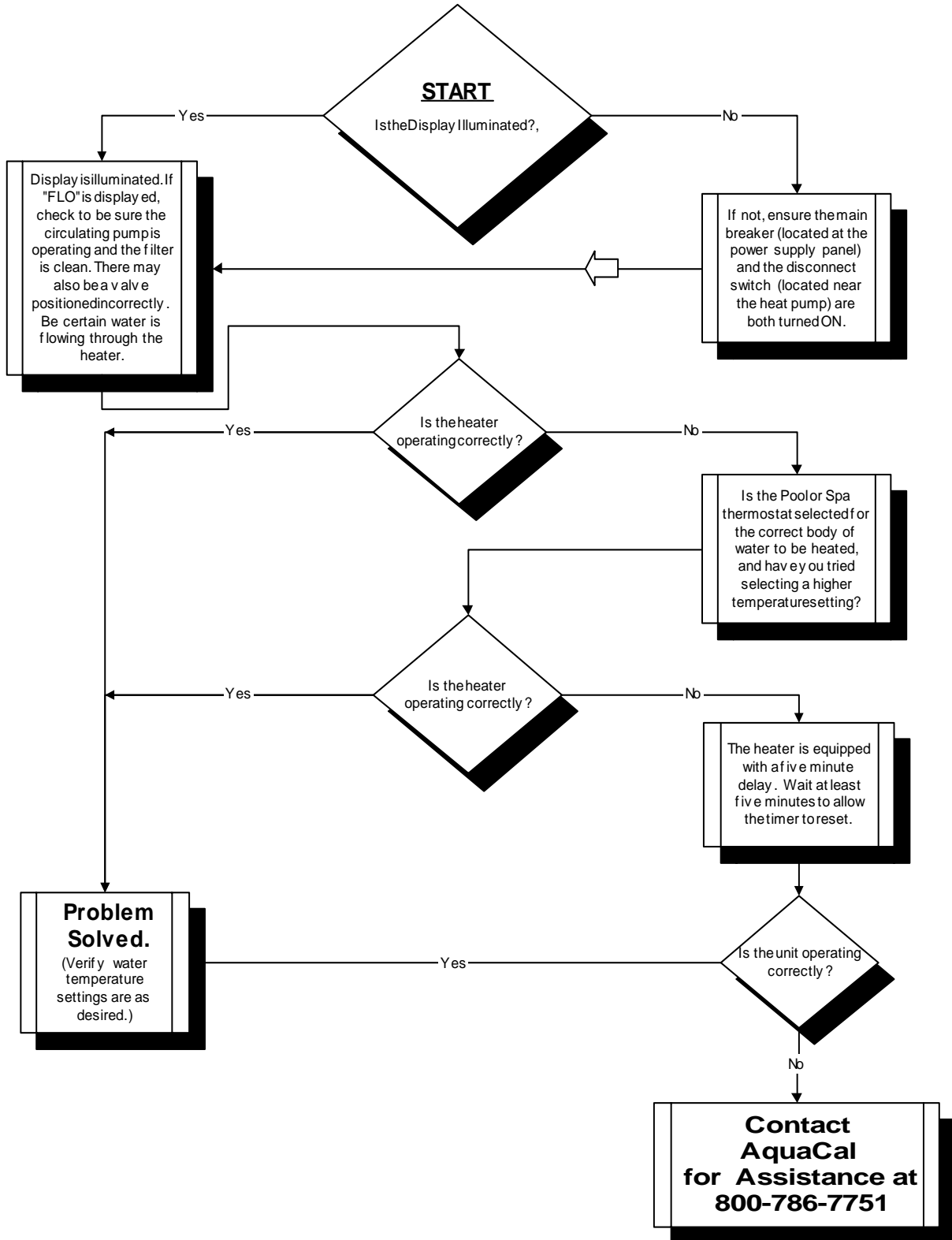
NOTE: The water test method will not be effective if an ionizer or ozone generator is being used to produce the sanitizing agent.

CAUTION! If after testing, a water leak is suspected, immediately shut OFF the water pump and contact AquaCal Customer Support: 800-786-7751.



TROUBLESHOOTING FLOWCHART

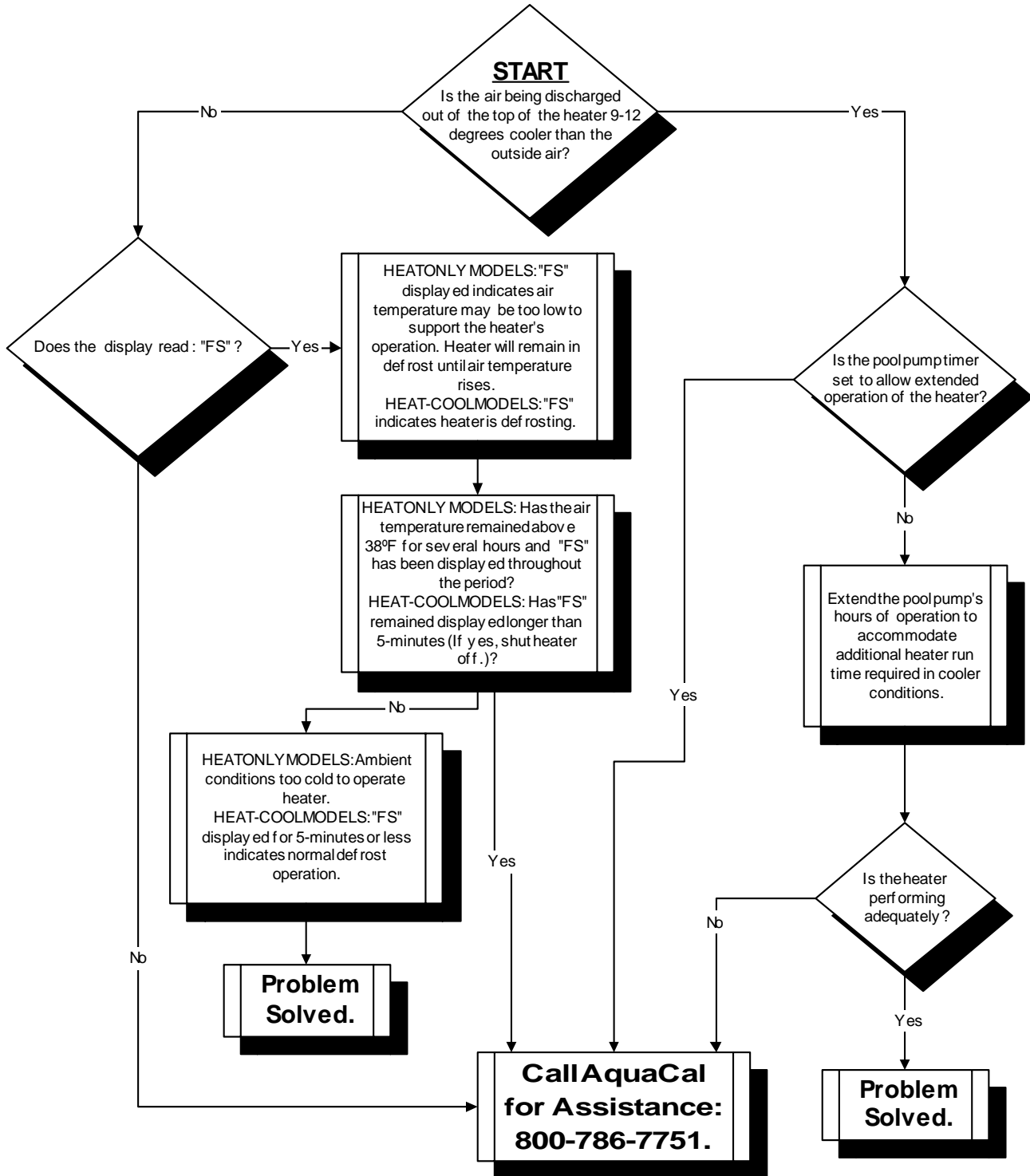
Heat Pump Fails to Operate





TROUBLESHOOTING FLOWCHART

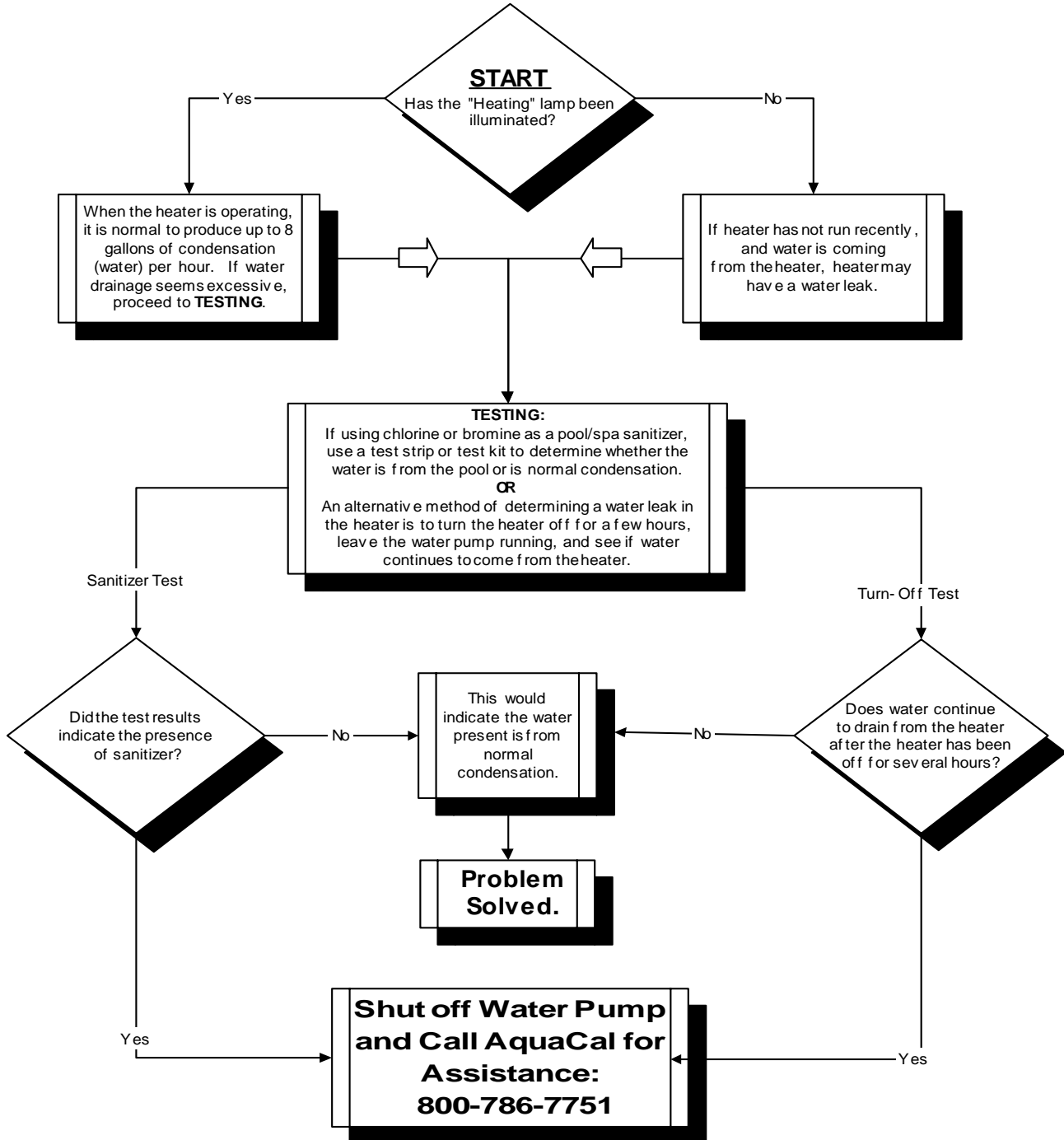
Heat Pump Running... but is it Heating?





TROUBLESHOOTING FLOWCHART

Water Coming from Heat Pump





Models 100, 120, & 155

HEATING ONLY
and
HEATING - COOLING

**DEALER-SPECIFIC
INFORMATION
FOLLOWS**

Installation
Specifications
&
Controls Configuration

DEALER-SPECIFIC TABLE of CONTENTS

GENERAL SAFETY INFORMATION -----	34
DATA PLATE NOMENCLATURE -----	34
HEATER SPECIFICATIONS -----	35
Physical Characteristics (dimensional drawings) -----	35
Performance, Size, Weight, Electrical/Water Needs -----	36
INSTALLATION INSTRUCTIONS -----	39
Placement of Heater -----	39
Indoor Installations -----	39
Outdoor Installations -----	39
Required Clearances -----	39
Irrigation, Rain Runoff, and Landscape Factors -----	40
Equipment Mounting Pad Requirements -----	40
Anchoring heater to Pad -----	40
Plumbing Requirements -----	41
Overview -----	41
Parts and Materials (approved) -----	41
In-Line Chlorinators (use and placement of) -----	41
Maintaining Ability to Winterize -----	41
Maximum Operating Pressure -----	41
Minium-Maximum Water Flow Rates -----	41
Plumbing Schematics (layout drawings) -----	42

DEALER-SPECIFIC TABLE of CONTENTS

(CONTINUED)

INSTALLATION INSTRUCTIONS (continued):

Electrical Requirements	44
General Requirements	44
Code-Specific Requirements	44
Connecting External Controllers	44
Sizing the Electrical Service	45
Ground Fault Protection (not recommended)	45

CONTROLS CONFIGURATION & ADJUSTMENTS

46

Level-2 (dealer-service) Programming	46
1. Entering Service Menu	46
2. Time Delay	47
3. Configuring for External Controllers	47
4. Water Sensor Calibration	47
5. Defrost Sensor Calibration	48
6. Spa Dead Band Differential (and adjustment)	49
7. Pool Dead Band Differential (and adjustment)	49
8. Changing Service Lock Code & "Back Door" Entry	50

Level-2 Set Up & Calibration Codes	51
--	----

Factory Default Settings	51
--------------------------------	----

Troubleshooting Using Displayed Codes	52
---	----

Mode Jumper and Positioning	53
-----------------------------------	----

Defrost Systems (described and explained)	55
---	----

Water Flow Pressure Switch Adjustment	56
---	----

CONTACTING THE FACTORY

58

SAFETY INFORMATION

Notice: Heater NOT Repairable by Owner

WARNING !

Failure to heed the following may result in permanent injury or death.

Heat pumps contain no owner-repairable components. Repairs must not be attempted by untrained and/or unqualified individuals. If service is deemed necessary, contact installing dealer or AquaCal Customer Support at (800) 786-7751.

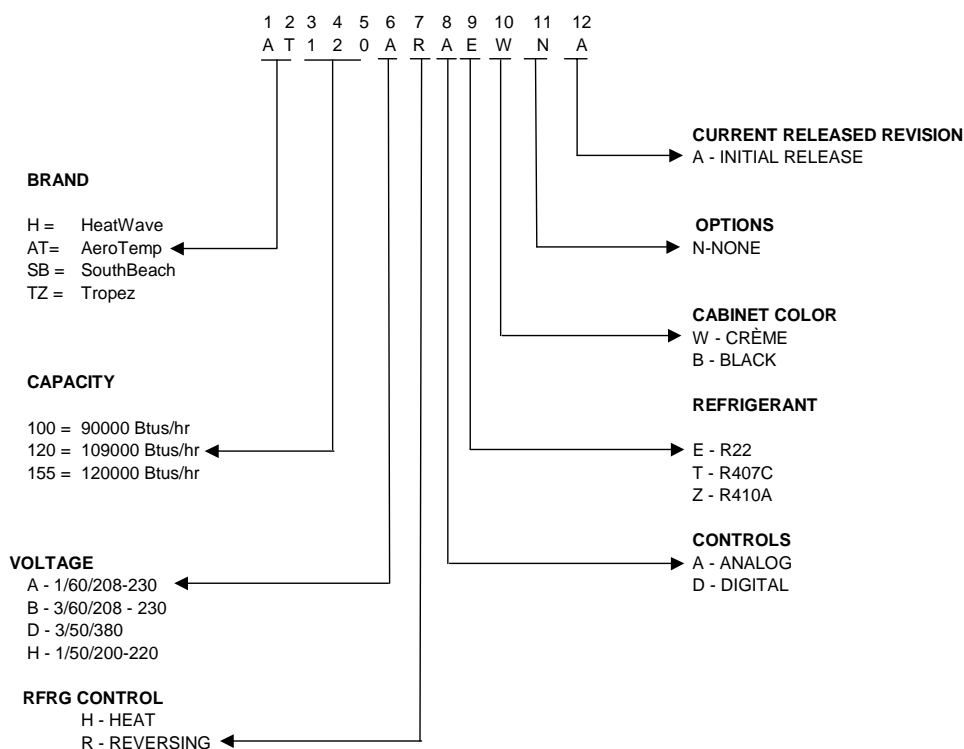
Refrigerant Circuit Service Only by Qualified, EPA Certified Technician

WARNING !

Failure to heed the following may result in permanent injury or death.

Heater contains refrigerant under high pressure. Repairs to the refrigerant circuit must not be attempted by untrained or unqualified individuals. Service must be performed only by qualified HVAC technicians. Recover refrigerant to relieve pressure before opening system.

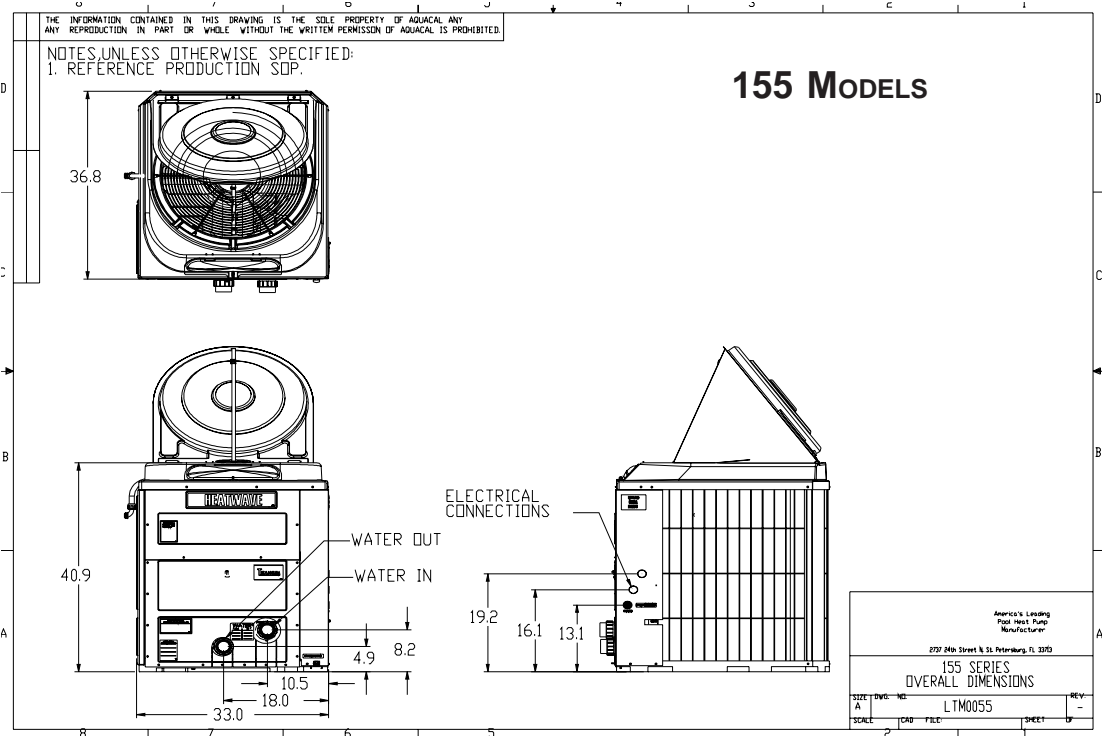
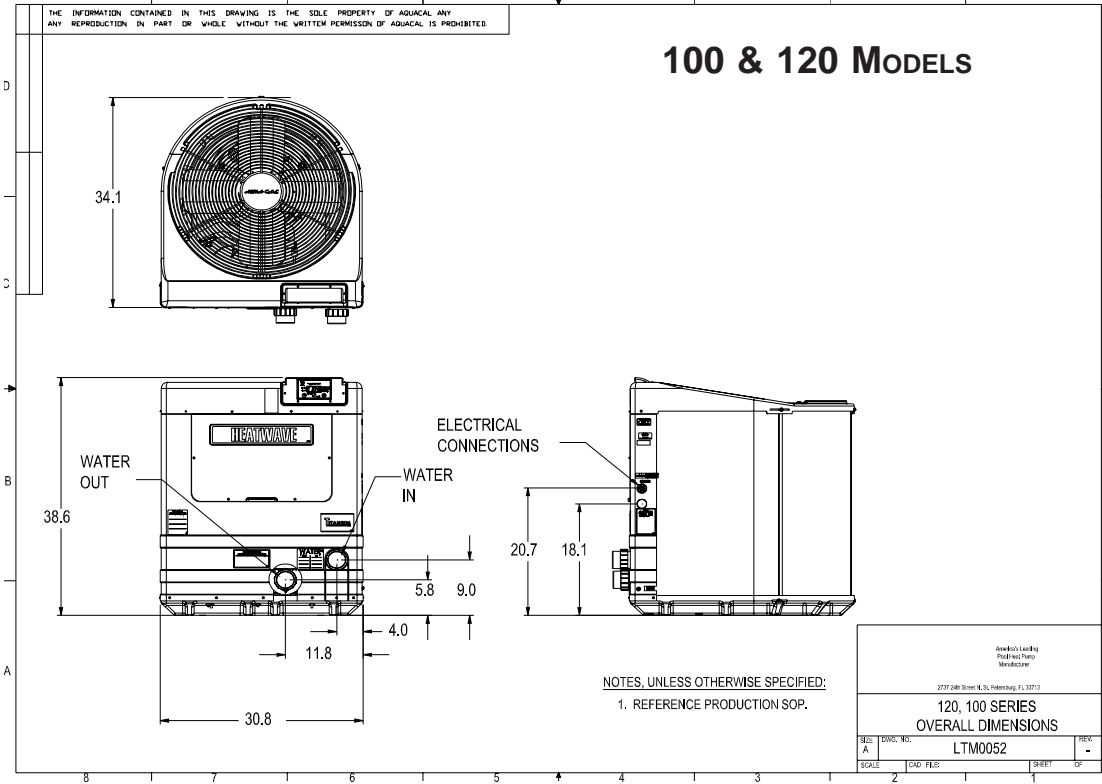
DATA PLATE NOMENCLATURE





SPECIFICATIONS

Physical Characteristics





SPECIFICATIONS

-Performance/Size/Weight- -Water/Electrical Requirements-

100 - Heating Only Models				
	100AHDE	100BHDE	100DHDT	100HHDT
BTU - 80%RH Air °F / Water °F...80/80	90,000	90,000	73,000	73,000
COP	5.8	5.8	5.5	5.5
Voltage/Hz/Phase	208-230/60/1	208-230/60/3	380-415/50/3	200-240/50/1
Min. Circuit Ampacity	38	22	10	27
Max. Fuse or Breaker	60	35	15	45
Rec. Fuse or Breaker	40	25	10	30
Min-Max Water Flow (gpm)	20-70	20-70	20-70	20-70
Shipping weight (lbs)	300	300	300	300
Shipping Size (l x w x h)	40" X 36" X 44"	40" X 36" X 44"	40" X 36" X 44"	40" X 36" X 44"
Uncrated Weight (lbs)	273	273	273	273
Uncrated Size (l x w x h)	34" X 31" X 39"	34" X 31" X 39"	34" X 31" X 39"	34" X 31" X 39"

100 – Heat & Cool Models (Reversing)				
	100ARDE	100BRDE	100DRDT	100HRDT
BTU - 80%RH Air °F / Water °F...80/80	88,000	88,000	70,000	70,000
COP	5.6	5.6	5.4	5.4
Voltage/Hz/Phase	208-230/60/1	208-230/60/3	380-415/50/3	200-240/50/1
Min. Circuit Ampacity	38	22	10	27
Max. Fuse or Breaker	60	35	15	45
Rec. Fuse or Breaker	40	25	10	30
Min-Max Water Flow (gpm)	20-70	20-70	20-70	20-70
Shipping weight (lbs)	320	320	320	320
Shipping Size (l x w x h)	40" X 36" X 44"	40" X 36" X 44"	40" X 36" X 44"	40" X 36" X 44"
Uncrated Weight (lbs)	293	293	293	293
Uncrated Size (l x w x h)	34" X 31" X 39"	34" X 31" X 39"	34" X 31" X 39"	34" X 31" X 39"



SPECIFICATIONS

-Performance/Size/Weight- -Water/Electrical Requirements-

120 - Heating Only Models				
	120AHDE	120BHDE	120DHDT	120HHDT
BTU - 80%RH Air °F / Water °F...80/80	109,000	109,000	95,000	95,000
COP	5.6	5.6	5.5	5.5
Voltage/Hz/Phase	208-230/60/1	208-230/60/3	380-415/50/3	200-240/50/1
Min. Circuit Ampacity	38 *	27	13	37
Max. Fuse or Breaker	60	45	20	60
Rec. Fuse or Breaker	40	30	15	40
Min-Max Water Flow (gpm)	20-70	20-70	20-70	20-70
Shipping weight (lbs)	323	323	323	323
Shipping Size (l x w x h)	40" X 36" X 44"	40" X 36" X 44"	40" X 36" X 44"	40" X 36" X 44"
Uncrated Weight (lbs)	296	296	296	296
Uncrated Size (l x w x h)	34" X 31" X 39"	34" X 31" X 39"	34" X 31" X 39"	34" X 31" X 39"

120 – Heat & Cool Models (Reversing)				
	120ARDE	120BRDE	120DRDT	120HRDT
BTU - 80%RH Air °F / Water °F...80/80	103,000	103,000	92,000	92,000
COP	5.4	5.6	5.4	5.4
Voltage/Hz/Phase	208-230/60/1	208-230/60/3	380-415/50/3	200-240/50/1
Min. Circuit Ampacity	38 *	27	13	37
Max. Fuse or Breaker	60	45	20	60
Rec. Fuse or Breaker	40	30	15	40
Min-Max Water Flow (gpm)	20-70	20-70	20-70	20-70
Shipping weight (lbs)	330	330	330	330
Shipping Size (l x w x h)	40" X 36" X 44"	40" X 36" X 44"	40" X 36" X 44"	40" X 36" X 44"
Uncrated Weight (lbs)	303	303	303	303
Uncrated Size (l x w x h)	34" X 31" X 39"	34" X 31" X 39"	34" X 31" X 39"	34" X 31" X 39"

* All A-Voltage 120 heaters with model numbers ending in "B", MCA = 33



SPECIFICATIONS

-Performance/Size/Weight- -Water/Electrical Requirements-

155 - Heating Only Models				
	155AHDE	155BHDE	155DHDT	155GHDE
BTU - 80%RH Air °F / Water °F...80/80	127,000	127,000	110,000	127,000
COP	6.3	6.3	6.3	6.3
Voltage/Hz/Phase	208-230/60/1	200-230/60/3	380-415/50/3	460/60/3
Min. Circuit Ampacity	37	30	15.22	15.22
Max. Fuse or Breaker	60	50	25	25
Rec. Fuse or Breaker	40	40	20	20
Min-Max Water Flow (gpm)	20-70	20-70	20-70	20-70
Shipping weight (lbs)	430	430	430	430
Shipping Size (l x w x h)	40" x 37" x 47"	40" x 37" x 47"	40" x 37" x 47"	40" x 37" x 47"
Uncrated Weight (lbs)	403	403	403	403
Uncrated Size (l x w x h)	37" x 33" x 41"	37" x 33" x 41"	37" x 33" x 41"	37" x 33" x 41"

155 - Heat & Cool Models (Reversing)				
	155ARDE	155BRDE	155DRDT	155GRDE
BTU - 80%RH Air °F / Water °F...80/80	120,000	120,000	105,000	105,000
COP	6.1	6.1	5.9	5.9
Voltage/Hz/Phase	208-230/60/1	208-230/60/3	380-415/50/3	460/60/3
Min. Circuit Ampacity	37	30	15.22	15.22
Max. Fuse or Breaker	60	50	25	25
Rec. Fuse or Breaker	40	40	20	20
Min-Max Water Flow (gpm)	20-70	20-70	20-70	20-70
Shipping weight (lbs)	430	430	430	430
Shipping Size (l x w x h)	40" x 37" x 47"	40" x 37" x 47"	40" x 37" x 47"	40" x 37" x 47"
Uncrated Weight (lbs)	403	403	403	403
Uncrated Size (l x w x h)	37" x 33" x 41"	37" x 33" x 41"	37" x 33" x 41"	37" x 33" x 41"



INSTALLATION

Placement of Heater

-Indoor Installation-

Indoor installations can be problematic, and for that reason are discouraged. However, if no viable alternative exists, indoor installations may be successfully accomplished provided very exacting criteria is addressed. Every indoor installation is unique; therefore, there are no specific guidelines for this type of installation. If considering an indoor installation, you are strongly urged to contact the AquaCal Engineering department (800-786-7751) for assistance prior to proceeding.

-Outdoor Installation-

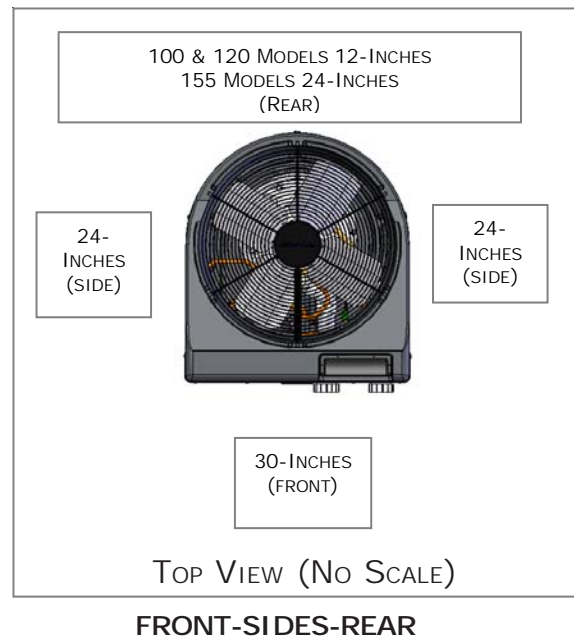
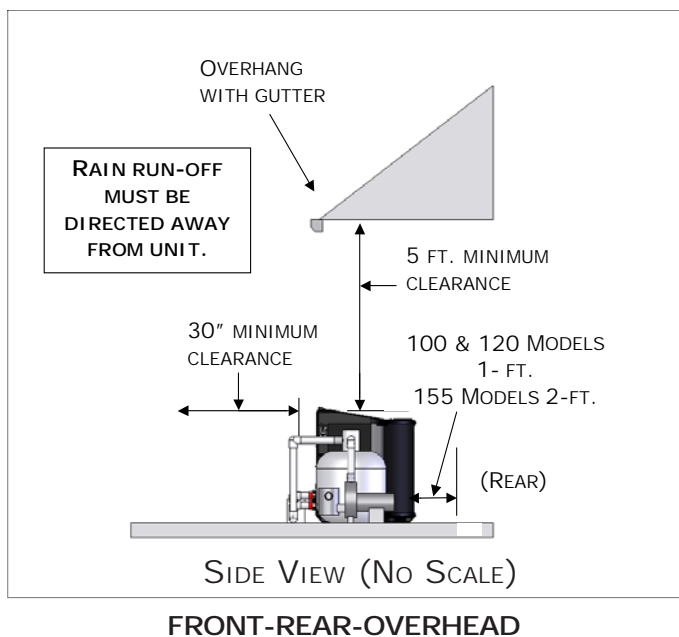
Service and Operational Clearances:

- To operate correctly, heat pumps require large volumes of air moving over the heat collector. allow adequate clearance between the heat pump and walls, fences, shrubs, or other objects. Refer to required clearance drawings below.
- Allow five (5) feet of vertical clearance between the top of the heat pump and any roof overhang or other obstruction. This clearance prevents cold discharge air from recirculating back into the heat pump (recirculation would reduce the overall performance of the heat pump).
- The access panel requires removal during installation and service. Do not place plumbing, or other items, closer than 30" from the front of the heater.

Code Required Clearances:

In addition to the previously stated clearance requirements, follow all applicable local, state, and national requirements relative to spacing from other objects or equipment.

Required Installation Clearances





INSTALLATION - PLACEMENT OF HEATER

(continued)

Irrigation, Rainwater Runoff, and Landscape Features

- Place the heat pump away from direct rain runoff from roofs. If roof slope directs runoff into the heater, a gutter or rain shield will be required on the roof edge above the heat pump.
- Relocate or adjust irrigation to avoid water spray directly onto the heat pump.
- Do not locate the heat pump directly adjacent to plants, shrubs, or bushes. Doing so will prevent proper air circulation into the unit, and may inhibit access to the heater when service is needed.
- Consult drawings on previous page (Required Installation Clearances) for proper spacing to other objects.

Equipment Mounting Pad Requirements

- The equipment pad shall be constructed of concrete, pressure treated wood, or other material intended for the use.
- The equipment pad shall meet all requirements of authorities having code-related jurisdiction.
- The pad shall be elevated and placed to provide adequate drainage and support to the base of the heat pump. The pad should be essentially level with just enough pitch to drain condensate and any other water away from the heater.
- The pad shall extend—in all directions—at least 3" beyond the base of the heat pump.
- Under no circumstances shall the heater be installed directly onto the earth.

Anchoring Heater to Pad

- Follow all relevant local, state, or national requirements regarding wind load anchoring.
- When anchoring is required, use AquaCal optional Hurricane Anchoring Kits.
 - AquaCal anchoring kits satisfy, completely, the very stringent Florida Building Code Section 301.13: Wind Anchoring Requirements.
 - Contact AquaCal Parts Group (800-785-7751) to obtain the correct anchoring kit for the heater being installed.
 - Please have the heater model number ready when contacting AquaCal Parts Group.
- As necessary, contact the AquaCal Technical Support Group (800-786-7751) for assistance in determining best method of compliance.

WARNING!

Failure to heed the following may result in permanent injury or death.

Installation made by unqualified persons can result in hazards to the installer and others. The information contained throughout the "Installation" section is intended for use by qualified heat pump installation technicians, familiar with the swimming pool/spa service industry safety standards and methods. Installation to be performed by qualified individuals only.



INSTALLATION

Plumbing Requirements

Overview

When planning plumbing system layout, reference the plumbing schematics within this section as a guide to the sequence of equipment, valves, fittings, etc. The plumbing configurations for typical installations are diagrammed. In operation, it is imperative the heat pump receive water flow within the minimum-maximum ranges specified for the particular heat pump. Should the system installation under consideration not closely match any of the schematics, contact AquaCal Technical Support Group for advice and guidance: (800) 786-7751.

Parts and Materials

Industry technology changes much too rapidly for AquaCal to specify, with exactness, any items outside and beyond the heat pump. What is specified is that the heater must be installed in accordance with all applicable local, state, or national codes & standards.

In-Line Chlorine Feeders

The titanium heat exchanger tube is nearly impervious to chemical damage; however, other parts of the heater may be damaged by concentrated chlorine. Caution: Per chlorinator manufacturers' recommendations, always place in-line chlorinators as low, and as far downstream from the heater as possible.

Maintain Ability to Winterize

In regions where hard freeze conditions are typical, the unions mentioned below allow for easy disconnection and re-connection of the heater from/to the plumbing system. Caution: Do not defeat the function of the unions—use no glue on the threaded portion of the unions.

Water Connections to Heat Pump

All AquaCal heat pumps are supplied with 2" PVC plumbing unions. Connection to site plumbing is made via PVC solvent cement to the female slip socket of the plumbing unions.

Maximum Operating Pressure: 50-PSI

Minimum - Maximum Water Flow Rates

- All AquaCal 100, 120, and 155 models are designed to operate successfully at flow rates of 20-to-70 gallons-per-minute (GPM).
- Design the plumbing system to maintain at least 20-GPM flow through the heater; the heat pump will not operate correctly, nor reliably, with less than 20-GPM of water flow supplied.
- If water flow rates through the heater will exceed 70-GPM, a spring-check bypass valve will be required. Please contact AquaCal Engineering Group to obtain the valve specification specific to your installation (800-786-7751).
- Generally speaking, most residential pools and spas will not require a plumbing bypass unless a pump of two (2) horsepower, or larger, is used. For bypass valve placement details, see plumbing schematic contained on next page: "...Flow Greater than 70-GPM."

CAUTION !

Failure to heed the following may result in damage to equipment.

Use of an incorrect bypass valve may compromise the heat pump's efficiency, reliability, and may void the factory warranty. Please contact AquaCal Engineering Group to obtain the valve specification specific to your installation (800-786-7751).

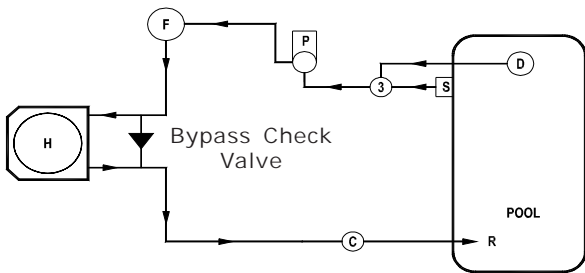


INSTALLATION

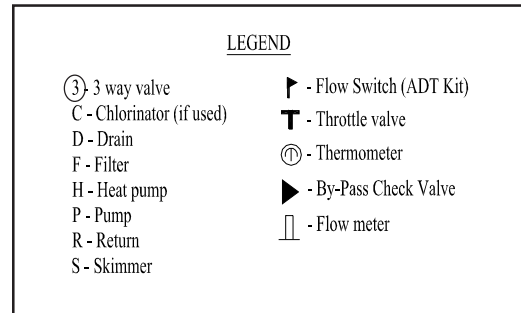
Plumbing Requirements

(continued)

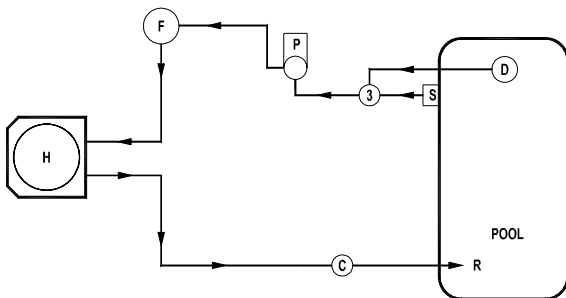
Plumbing Schematic—Flow Exceeding 70-GPM



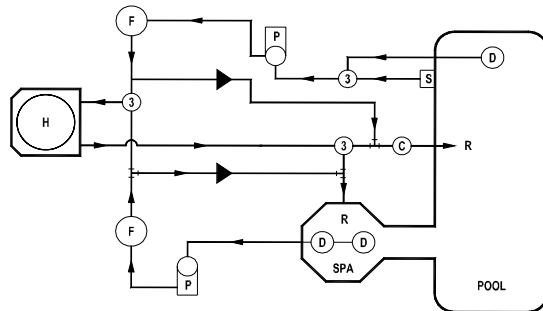
TYPICAL POOL - FLOW GREATER THAN 70-GPM
(2-HP PUMP)



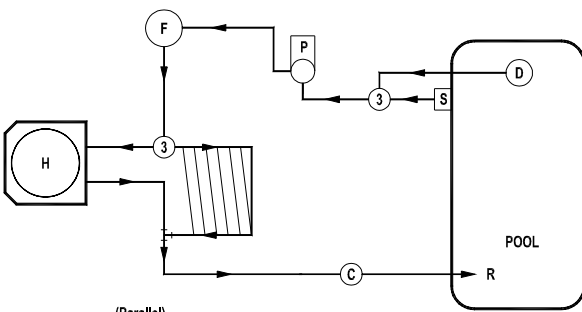
Plumbing Schematics—Flow 20 to 70-GPM



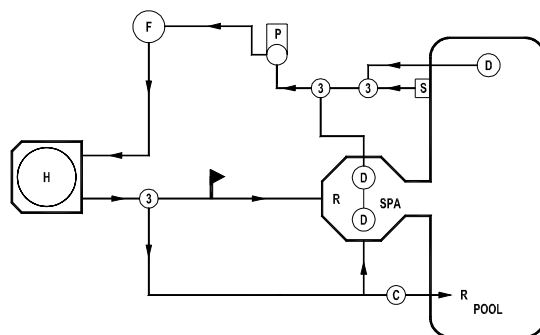
TYPICAL POOL - FLOW LESS THAN 70-GPM



POOL/SPILL OVER SPA - TWO PUMP SYSTEM



HEAT PUMP WITH SOLAR PANELS



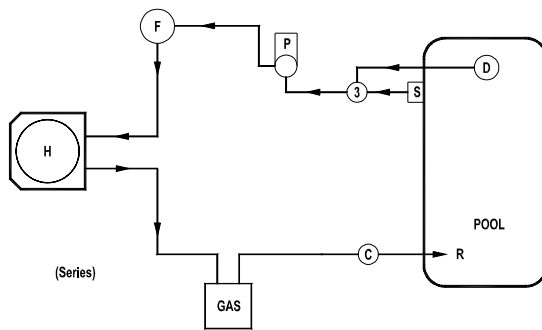
POOL/SPILL OVER SPA - ONE PUMP SYSTEM



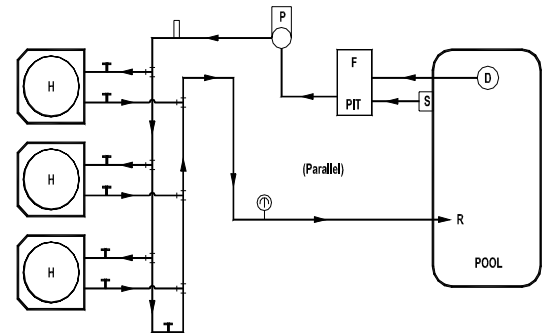
INSTALLATION

Plumbing Requirements

Plumbing Schematics—Flow 20 to 70-GPM (continued)



HEAT PUMP WITH GAS HEATER BACK UP

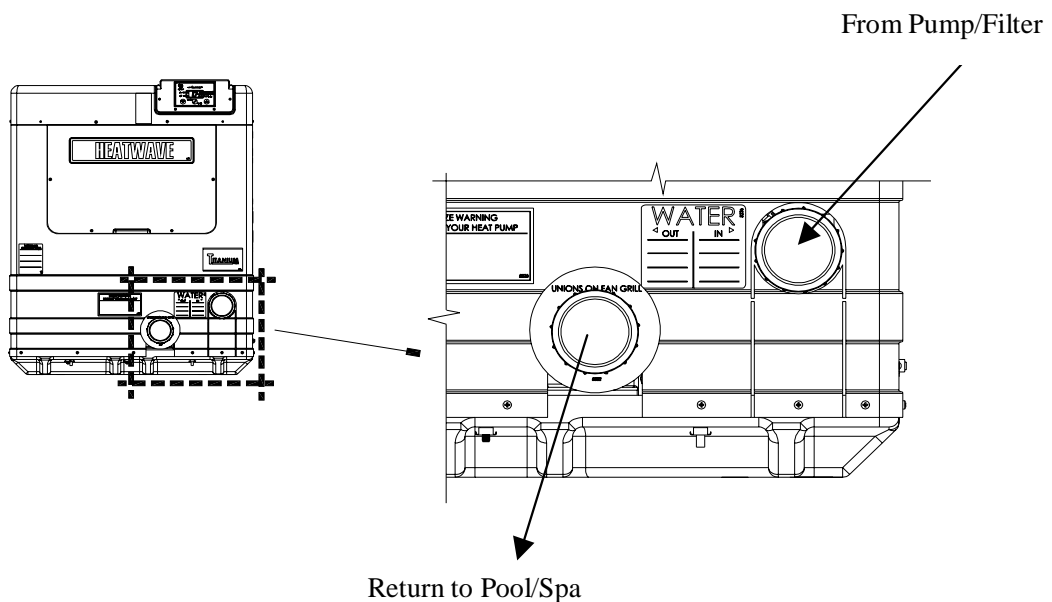


MULTIPLE HEAT PUMP INSTALLATION
MINIMUM SPACING 24-INCHES

Water IN & OUT Connections- Typical (exact location varies by model)

For proper operation and maximum efficiency, piping coming from the pump and filter MUST be connected to the "IN" port of the heater. Likewise, connect piping returning to the pool/spa to the "OUT" port of the heater. See drawing below.

PLUMBING CONNECTION DETAIL





INSTALLATION

Electrical Requirements

WARNING!

Failure to heed the following may result in permanent injury or death.

Installation made by unqualified persons can result in hazards to the installer and others. The information contained in this Electrical Installation section is intended for use by qualified electrical installation technicians, familiar with electrical service industry safety standards and methods. Electrical installation to be performed by qualified individuals only.

General Requirements

- Locate the equipment disconnect means within 3-feet of the heater's electrical enclosure, or as close to the heater as possible. Always satisfy applicable codes and standards.
- AquaCal heat pumps are designed for copper conductors, only.
- In sizing power wiring, be especially aware of up-sizing requirements necessary due to wiring distances. Always satisfy applicable codes and standards.
- Multiple heaters installed at same site generally require special sequencing controls (an "ASC" controller will be required). If yours is a multi-heater installation, contact AquaCal Technical Support Group (800-786-7751) for application assistance.
- Electrical installation should be by *licensed electrician only*.

Code-Specific Requirements

- The electrical installation must conform to the most current version of the National Electrical Code, NFPA No.70, and all applicable local and state codes.
- National Electrical Code, Article 680; Swimming Pools, Fountains, and Similar Installations, shall apply.
- National Electrical Code, Article 440, Air-Conditioning and Refrigeration Equipment, shall apply.

Connecting External Controllers

- See document entitled: "Connecting External Controllers to AquaCal Heat Pumps"; this document is shipped with every AquaCal heater. For extra copies, contact AquaCal Customer Support (800-786-7751); request literature piece: "LTP0050."
- For Call-Flex option, reference instructions received with the Call-Flex kit.
- Please contact the AquaCal Technical Support Group (800-786-7751) concerning the application of any external controller, Call-Flex, sequencing control, etc.



INSTALLATION

Electrical Requirements (continued):

Sizing the Electrical Service... Reference the Equipment Data Plate

- AquaCal 100, 120, and 155 model heat pumps have two (2) identical data plates affixed: one can be found outside the unit, on right front corner; the second data plate is located behind the front access panel, on the electrical enclosure cover.
- Refer to either equipment data plate for unit-specific electrical power supply requirements.
- Based on data plate information, size wiring, wiring devices, and over-current protection per applicable codes and standards.
- Refer to drawing below for data plate items specific to electrical installation requirements. On the installed heater data plate, the areas depicted below, numbered 1-8, will contain the information required to size the electrical service and over-current protection.

ELECTRICAL PORTION of DATA PLATE

MINIMUM CIRCUIT AMPACITY	#1	Hz	#2	MADE IN THE USA	
ELEC. SERVICE: Vac ~	#3	PHASE	#4		
MAXIMUM TIME DELAY FUSE OR HACR BREAKER			#5		
COMPRESSOR Vac		R.L.A.	#6	L.R.A.	#7
FAN MOTOR Vac		H.P.		F.L.A.	#8

A Word Concerning Ground-Fault Protection

- The National Electrical Code (NEC) contains no standards requiring Ground-Fault Interruption protection (via GFI Circuit Breaker or otherwise) of “Fixed” or “Stationary” equipment, under article 680: *Swimming Pools, Fountain, & Similar Installations*, or Article 440: *Air-Conditioning & Refrigeration Equipment*.
- The preceding standards govern the installation of AquaCal (and other manufacturers’) heat pumps. AquaCal heat pumps are designed, and safety tested by a certified laboratory, to be installed under applicable standards detailed within the NEC.
- AquaCal does not recommend the use of ground fault protective devices in conjunction with heat pumps. **Service calls, found to be due to “nuisance” tripping of ground fault devices, are not covered under the AquaCal factory warranty.**



Controls Configuration & Adjustments

Level-2 (Dealer-Service) Microprocessor Programming

(Includes Configuration for External Controllers)

Level-2 programming involves configuring the controller for specific site characteristics. To explain, this programming is where the controller is set to operate with, or without, an external controller; where sensor calibrations are performed; and where changes to other factory default parameters are made.

Before transferring use of the heater to the owner, the installer must insure the controller programming is compatible with any site-installed external controllers, and that the heater starts and operates per the manufacturer's specifications.

Generally speaking, the installer's main focus within Level-2 programming will be in configuring for external controller compatibility. And, **unless instructed to do otherwise by the AquaCal Technical Support Group, the installer should not adjust sensor calibration or dead-band values.**

CAUTION !

Failure to heed the following may result in equipment damage and voiding of manufacturer's warranty.

Heat pumps contain no owner-serviceable components. Owner-initiated adjustments, beyond the controller "LOC" code, must not be attempted. If adjustments are deemed necessary, the owner should contact installing dealer or AquaCal Customer Support at (800) 786-7751.

1. Entering Service Menu:

- A. To enter the service menu, Simultaneously press and hold both the [UP ARROW] and [DOWN ARROW] keys until [CF1] (Celsius / Fahrenheit) code appears. (Note: if "000" displays, the User Lock Code is enabled, and the ULC pass code must be entered before proceeding. See Owner-Level Operating Instructions, page-15: "User Lock Code Option [ULC]." If the owner's ULC pass code is unknown, the factory default code "17" may be used to access controller programming.) Press the [POOL/SPA] key four times to display [LOC], which is the entrance point for the Service Menu.
- B. The [LOC] code function allows service personnel to use an access code to enter the service menu. This section of the programming is intended for authorized factory service personnel, only.
- C. Using the [UP] and [DOWN] arrow keys, scroll the displayed number to "50." ("50" is the default service entry pass code.)
- D. Once the correct service code is displayed, pressing the [POOL/SPA] key—once again—will allow access to the service menu.
- E. The first service parameter displayed will be [dEL] (4 -minute time delay on make).

NOTE: Pressing the [POOL/SPA] key will save the displayed value in any menu parameter, and will advance to the next service menu juncture.

(Continued on Next Page)



Controls Configuration & Adjustments...

Level-2 Microprocessor Programming... continued:

2. Time Delay [dEL]:

- A. With the [dEL] (4 minute time delay) code message displayed use the [UP] or [DOWN] arrow key to select either “1” to allow the time delay to remain active or “0” to deactivate the time delay. Not pressing any buttons for 15 seconds will allow the controller to save the selection and return to the normal operating mode. Pressing the {POOL/SPA} key will also save the selection and step to the next menu parameter: [JAO] (External Controller Interface).
- B. **CAUTION!!!:** The time delay should only be deactivated for service convenience and must be reactivated prior to placing the heat pump back in service. Failure to reset the time delay feature could result in permanent damage to the heat pump compressor.

3. Configuring for External Controllers [JAO] or [FS2]:

- A. Configuring for External Controllers Using [JAO] Selection:
 - 1) Follow the steps **1, A** through **1, D** to enter the service menu. Once [dEL] is displayed, press the [POOL/SPA] key until the display shows [JAO].
 - 2) With the [JAO] (External Controller Interface) code message displayed, use the [UP] or [DOWN] arrow keys to select either “0” to disable the External Controller Interface, “2” to connect a thermostat type controller (2-wire connection), or “3,” to connect a thermostat selector type controller (3-wire connection).
- B. Configuring Remote Flow Switch / Automatic Thermostat Switching Using [FS2] Selection:
 - 1) Follow the steps **1, A** through **1, D** to enter the service menu. Once [dEL] is displayed, press the [POOL/SPA] key until the display shows [FS2].
 - 2) With the [FS2] (Remote Flow Switch / Automatic Thermostat Switching) code message displayed, use the [UP] or [DOWN] arrows to select either “0” to disable Remote Flow Switch / Automatic Thermostat Switching, “1” to enable Remote Flow Switch / Automatic Thermostat Switching.

NOTE: ALL FLOW SWITCH KITS PRODUCED BY AQUACAL ARE SHIPPED WITH FULL INSTALLATION AND PROGRAMMING INSTRUCTIONS. PLEASE CONTACT AQUACAL CUSTOMER SUPPORT (800-786-7751) IF ADDITIONAL COPIES OF THESE INSTRUCTIONS ARE NEEDED.

4. Water Sensor Calibration [tSC]:

If it is believed the displayed pool or spa water temperature does not match the actual temperature, follow the steps below to verify and adjust the controller as necessary. Be certain to use an accurate thermometer:

- A. With the circulating pump in operation, and water moving through the heater, use a reliable thermometer to measure the temperature of the pool or spa water. Be sure to measure the water temperature away from returns. The object is to accurately determine the temperature of the water entering the heater.
- B. Once you have measured the water temperature, compare the result to the heater’s displayed water temperature. If the water temperatures are the same or within 1°F, no calibration is necessary. If the temperatures differ by 2 to 3°F, calibration is necessary. Perform calibration procedure as follows:

(Continued on Next Page)



Controls Configuration & Adjustments...

Level-2 Microprocessor Programming... continued:

4. Water Sensor Calibration... continued:

- C. Follow the steps **1, A** through **1, D** to enter the service menu. Once [dEL] is displayed, press the [POOL/SPA] key until the display shows [tSC] (Water Temperature Calibration). Using either the [UP] or [DOWN] arrow keys, calibrate the water temperature sensor by increasing or decreasing the numeric value displayed to match the measured water temperature. The controller can be adjusted to +10°F to -10°F from the nominal displayed temperature. However, offset calibrations greater than 3°F should be avoided... Such large offsets generally indicate problems with the method of water temperature measurement, a water sensor not properly inserted into the well, or other equipment issues. Do NOT attempt to mask such issues through offset calibration.
- D. Once the corrected temperature is displayed, Not pressing any buttons for 15 seconds will allow the controller to save the selection and return to the normal operating mode. Pressing the {POOL/SPA} key will also save the selection and step to the next menu parameter: [dSC] (Defrost Sensor Calibration).

5. Defrost Sensor Calibration [dSC] (Checking-Adjusting):

In the event it is suspected the defrost Sensor requires calibration, the following steps must be followed closely to ensure correct defrost operation:

- A. Turn the heater OFF at the main circuit panel.
- B. Remove the heater front panel to gain access to the defrost sensor location. The defrost sensor will be found strapped to the suction line in combination with the TXV bulb, or strapped and separately insulated nearby the TXV bulb. Note: if unsure of sensor location, follow-to-termination-the pair of wires leading from the "FS" terminals on the controller PC board.
- C. Position a clamp-on, thermocouple-type temperature sensor onto the suction line; position the clamp immediately adjacent to the defrost sensor. Connect the clamp-on thermocouple to a multimeter designed to accept the input of the clamp-on device.
- D. Restart the heater, allowing the compressor to operate for at least 10-minutes; the suction line temperature should have stabilized at this point. Make note of the suction line temperature as measured by the clamp-on thermocouple probe/multimeter.
- E. Follow steps **1, A** through **1, D** to enter the service menu. Once [dEL] is displayed, press the [POOL/SPA] key until the display shows [dSC] (Defrost Sensor Calibration). With [dSC] displayed, pressing either the [UP] or [DOWN] arrow key, once, will display the current temperature value of the defrost sensor.
- F. Compare the controller's displayed defrost sensor temperature against the reading obtained by the clamp-on device. If the temperatures are the same, or within 1°F, calibration is NOT necessary. If the temperatures differ by 2 to 3°F, calibration is necessary. The controller can be adjusted to +10°F to -10°F from the nominal displayed temperature. However, offset calibrations greater than 3°F should be avoided. Such large offsets generally indicate problems with the method of suction line temperature measurement, a defrost sensor not properly attached to the suction line, or other equipment issues. Do NOT attempt to mask such issues through offset calibration.

(Continued on Next Page)



Controls Configuration & Adjustments...

Level-2 Microprocessor Programming... continued:

5. Defrost Sensor Calibration... continued:

- G. Once the correct temperature value has been selected, *not* pressing any buttons for 15-seconds will allow the controller to save the selection and return to the normal operating mode. Pressing the [POOL/SPA] key will also save the selection and step to the next menu parameter: [dBS] (Dead Band for Spa).

6. Spa Dead Band Differential [dBS]:

In the heating mode, the dead band differential determines the number of degrees the water temperature must *fall* below the set point before the thermostat closes. In the cooling mode, the dead band differential determines the number of degrees the water temperature must *rise* above the set point before the thermostat closes. When in the auto-changeover mode, the dead band differential operates in the same manner as described above for the heating and the cooling modes. However, in all modes, the thermostat will open when the set point is reached independent of the direction the water temperature is changing. The factory spa dead band differential is set to 1°F. It is strongly recommended the factory default of 1°F remain; however, if for some reason the dead band requires adjustment, follow the steps outlined below:

- A. Follow the steps **1, A** through **1, D** to enter the service menu. Once [dEL] is displayed, press the [POOL/SPA] key until the display shows [dBS] (Spa Dead Band Differential).
- B. With the service menu parameter [dBS] displayed, pressing either the [UP] or [DOWN] arrow keys, once, will display the current setting. Using the [UP] or [DOWN] arrows keys will increase or decrease the value respectively. The differential is adjustable in 1° increments from 1 to 5-degrees.
- C. Once the desired dead band value has been selected, *not* pressing any buttons for 15-seconds will allow the controller to save the selection and return to the normal operating mode. Pressing the [POOL/SPA] key will also save the selection and step to the next menu parameter: [dBP] (Dead Band Pool).

7. Pool Dead Band Differential [dBP]:

In the heating mode, the dead band differential determines the number of degrees the water temperature must *fall* below the set point before the thermostat closes. In the cooling mode, the dead band differential determines the number of degrees the water temperature must *rise* above the set point before the thermostat closes. When in the auto-changeover mode, the dead band differential operates in the same manner as described above for the heating and the cooling modes. However, in all modes, the thermostat will open when the set point is reached independent of the direction the water temperature is changing. The factory pool dead band differential is set to 1°F. It is strongly recommended the factory default of 1°F remain; however, if for some reason the dead band requires adjustment, follow the steps outlined below:

- A. Follow the steps **1, A** through **1, D** to enter the service menu. Once [dEL] is displayed, press the [POOL/SPA] key until the display shows [dBP] (Pool Dead Band Differential).
- B. With the service menu parameter [dBP] displayed, pressing either the [UP] or [DOWN] arrow keys, once, will display the current setting. Using the [UP] or [DOWN] arrows keys will increase or decrease the value respectively. The differential is adjustable in 1° increments from 1 to 5 degrees.

(Continued on Next Page)



Controls Configuration & Adjustments...

Level-2 Microprocessor Programming... continued:

7. Pool Dead Band Differential... continued:

- C. Once the desired dead band value has been selected, not pressing any buttons for 15-seconds will allow the controller to save the selection and return to the normal operating mode. Pressing the {POOL/SPA} key will also save the selection and step to the next menu parameter: [LOC] (LOCK CODE).

8. Changing the Service Lock Code and “Back Door” Entry:

A. Changing the Code...

The factory default Service Lock Code is “50”. Service personnel are strongly advised to retain the factory default setting. However, should unauthorized access to Level-2 (Service) menu be suspected, it may be necessary to select a code other than “50”. To change the Service Lock Code:

- 1) Follow the steps **1 A** through **1 D** to enter the service menu. Once [dEL] is displayed, press the [POOL/SPA] key until the display shows [LOC] (LOCK CODE).
- 2) Press the [UP] arrow key to display the current service lock code value. With the current value displayed the [UP] arrow key will increase the value while the [DOWN] arrow key will decrease the value. When the desired value is displayed not pressing depressing any buttons for 15 seconds will allow the controller to save the selection and return to the normal operating mode. Pressing the {POOL/SPA} key will also save the selection and step to the next menu parameter. **It is recommended, however, unless attempting to prevent tampering, that the factory setting of: “50” remain in use.**

B. Back-door Access (For use when correct Service Lock Code is unknown):

- 1) Simultaneously press and hold the [POOL/SPA] and [UP ARROW] keys until the display shows “888”. This operation will reset the controller to the factory default settings.
- 2) The factory reset will change the service lock code back to the factory setting “50”. In addition, **all other settings (including external controller configuration) are returned to the factory defaults.** See section in this manual entitled: “Factory Default Settings” for a complete list of factory default parameters.

(End... Level-2 Microprocessor Programming)



Controls Configuration & Adjustments...

Microprocessor Level-2 Set Up & Calibration Codes Service Adjustable Parameters

Code	Description	Factory Setting	Range
[LOC]	Service Lock Code	50	00-99
[dEL]	4-minute Delay on Make	1	0 / 1
[JAO]	External Controller Interface	0	0 / 2 / 3
[FS2]	Flow Switch/Auto T-Stat Switching	0	0 / 1
[tSC]	Water Sensor Calibration	Factory Calibrated	+10° to -10° of display
[dSC]	Defrost Sensor Calibration	Factory Calibrated	+10° to -10° of display
[dBS]	Spa Dead Band Differential	1°	1° to 5°
[dBP]	Pool Dead Band Differential	1°	1° to 5°

Microprocessor Factory Default Settings

Level -1 and Level-2 Default Settings

Menu	Code	Description	Default Value	Range
Level-1	[CF1]	Celsius/Fahrenheit	1	0 / 1
Level-1	[ULC]	User Lock Code	0	0 / 1
Level-1	[ELC]	Enter Lock Code	0	00-99
Level-1	[CFO]	Call / Flex	0	0 / 1 / 2
Level-1	[LOC]	Service Lock Code	50	00-99
Mode	Key Pad	Operating Mode	OFF	For Heat Only: OFF/HEAT For Heat & Cool: OFF, HEA, COO, ACH
Thermostat	Key Pad	Thermostat Settings Pool & Spa	OFF	45°F – 104°F
Level-2	[dEL]	Anti-Short Cycle, 4-minute Delay on Make	1	0 / 1
Level-2	[JAO]	External Controller Interface	0	0 / 2 / 3
Level-2	[FS2]	Flow Switch / Automatic Thermostat Switching	0	0 / 1
Level-2	[tSC]	Water Sensor Calibration	Factory Calibrated	+10° to -10° of displayed value
Level-2	[dSC]	Defrost Sensor Calibration	Factory Calibrated	+10° to -10° of displayed value
Level-2	[dBS]	Spa Dead Band Differential	1°	1° to 5°
Level-2	[dBP]	Pool Dead Band Differential	1°	1° to 5°



Controls Configuration & Adjustments...

Troubleshooting Using Displayed Codes

Interpreting Error Codes

The HP7R heat pump microprocessor controller is designed to be self-diagnostic through the display of various fault codes.

Owners & Operators: If you believe you are experiencing a problem with the heater, and feel a need to call the factory for assistance, it will be beneficial to let the factory Service Representative know which code is being displayed. Having this information at hand will permit the Service Representative to work through—with you—any site related issues causing or contributing to the problem. Then, if after working through site-related issues the heater is still not functioning correctly, the Service Representative will offer to set up a service visit. As necessary, please Contact AquaCal Customer Support Group (800-786-7751).

Dealers and Service Centers: For troubleshooting use, listed below are all possible fault messages output by the microprocessor, what the codes mean, and possible causes with solutions for the indicated problem. Please contact AquaCal Technical Support Group, as necessary (800-786-7751).

WARNING !

Failure to heed the following may result in permanent injury or death.

Heat pumps contain no owner or operator repairable components. Repairs must not be attempted by untrained and/or unqualified individuals. If service is deemed necessary, contact installing dealer or AquaCal Customer Support at (800) 786-7751.

Message	Error Description	Possible cause
[dPO]	Defrost Sensor Open	Cut or loose sensor wiring
[PO]	Water Temperature Sensor Open	Cut or loose sensor wiring
[dPC]	Defrost Sensor Shorted	Short circuit in defrost sensor wiring or defective sensor.
[PC]	Water Temperature Sensor Shorted	Short circuit in water temperature sensor or defective sensor.
[LP]	Refrigerant System Low Pressure Switch Open	System refrigerant charge low, defective low pressure switch, clogged evaporator coil, or defective wiring.
[HP]	Refrigerant System High Pressure Switch Open	Low water flow, defective high pressure switch, or defective wiring.
[HP5]	5 High Pressure Faults Within One Hour (Unit Locked)	See causes for [HP]
[LP5]	5 Low Pressure Faults Within One Hour (Unit Locked)	See causes for [LP]
[OTA]	Over Temperature Alarm< Temperature over 110°F (Unit Locked)	Defective compressor contactor, defective controller, or defective water temperature sensor
[FLO]	Low or No Water Flow Detected	Circulating pump off or filter dirty, isolation valves set improperly, defective or improperly set heater water pressure switch
[FS]	Heater in Defrost Mode (HEAT-ONLY UNITS)	Normal function in lower air temperatures. Fan continues to run and compressor is off. Compressor will restart when air-coil temperature reaches 38°F or above.
[CSE]	Control System Error	Controller may need to be reset. Disconnect then reconnect power to controller. If error continues replace control board, display board, or both.



Controls Configuration & Adjustments...

Microprocessor Mode Jumper Positioning

Mode Jumper Explained

The HP7R microprocessor is designed to operate as a Heat-Only or a Heating & Cooling controller.

The selection between the two choices is made through the positioning of a mode jumper contained on the microprocessor board. The position of the jumper is set at the factory, and is dependant upon the design of the heater being controlled. Heaters designed to heat only, have the microprocessor mode jumper set in the heat-only mode; heaters capable of both heating and cooling (reversing), have their microprocessor mode jumper set to permit control of both heating and cooling.

Important: The position of the mode jumper must match the capabilities of the heat pump. Simply placing the mode jumper to the heating and cooling position, with a heater designed to heat only, will not make a heat-only heater heat & cool. In fact, a mis-positioned mode jumper will cause heater control difficulties.

Verifying the Mode Jumper Position is Correct

1. Apply electrical power to the heater.
2. Review the available modes by repeatedly pressing the [MODE] key:
 - A. Heat-Only Models: the [MODE] key functions should appear as: [OFF] and [HEA].
 - B. Heat-Cool Models (Icebreakers): the [MODE] key functions should appear as: [OFF], [HEA], [COO], and [AHC].
3. If the modes do not display correctly for the heater being serviced, the mode selector jumper, located on the microprocessor PC board, is likely placed in the wrong position. To correct this condition, the jumper will need to be repositioned. See repositioning instructions, below.

Repositioning the Mode Jumper

Use this procedure if [MODE] key functions indicate jumper positioning is incorrect. The mode jumper is located on the microprocessor controller board, within the heater's electrical enclosure.

WARNING !

Failure to heed the following may result in permanent injury or death.

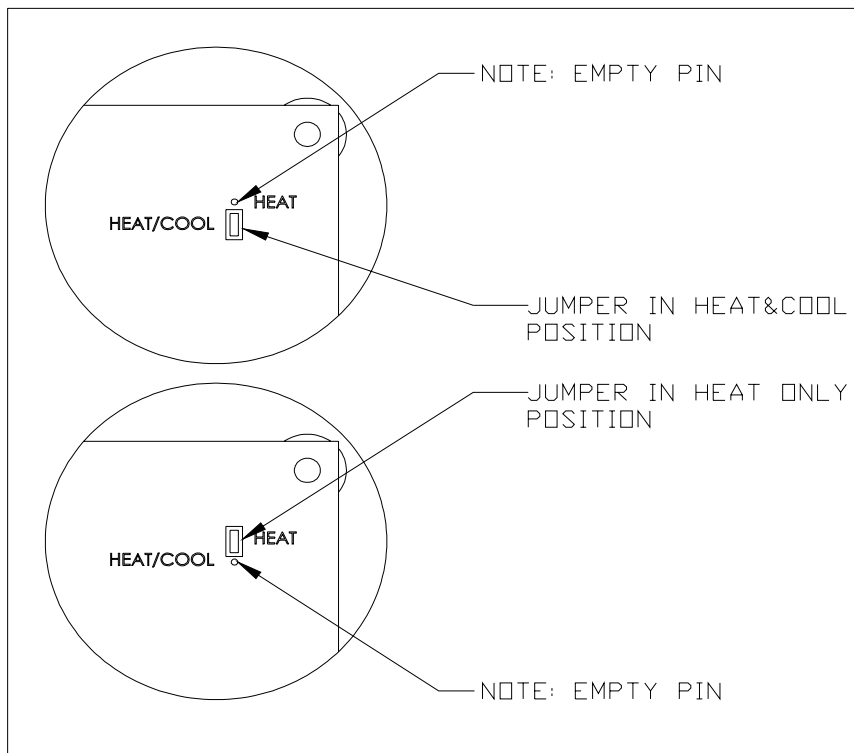
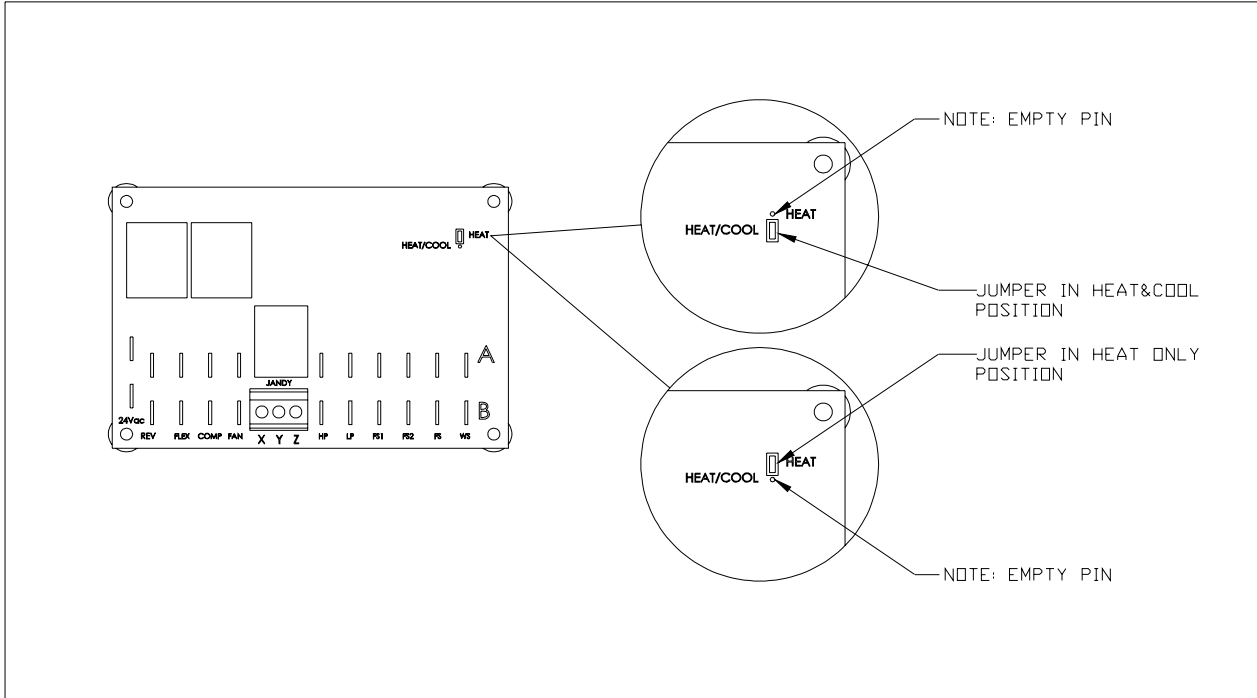
This is NOT an owner or operator procedure. Repairs must not be attempted by untrained and/or unqualified individuals. Risk of Electrical Shock... **Ensure all electrical power to the heater has been disconnected** prior to removing the heater front access panel. **Leave electrical power disconnected** throughout the following jumper repositioning procedure.

1. To access the jumper, disconnect electrical power and remove the heater front entry panel; then, remove the metal cover from heater electrical enclosure. For layout details of the PC control board, see figures on next page.
2. Locate the mode jumper in the upper right hand corner of the PC control board; per the figures on the following page, identify the correct location for the jumper. If the jumper is found to be incorrectly positioned, gently disengage the jumper by pulling it directly away from the control board.
3. Correctly reposition the jumper, leaving one pin uncovered. **Note:** The jumper should cover two (2) pins: one always being the middle pin, and the other the correct pin for the features of the heat pump.



Controls Configuration & Adjustments...

Microprocessor Mode Jumper Positioning... continued:





Controls Configuration & Adjustments...

Defrost Systems- Described

DEFROST CYCLE (HEAT ONLY UNITS):

The microprocessor controller monitors the heater's air-coil temperature, minimizing air-coil freeze-up during cooler weather conditions. If the controller senses air-coil temperatures conducive to making ice, the heater's compressor operation is interrupted while the fan is allowed to continue in operation.

With the compressor off, the air-coil begins to warm to the surrounding air temperature. When air-coil temperatures rise above approximately 38°F, the compressor is restarted and heating resumes.

In the event air temperatures remain below approximately 38°F, the compressor will remain off until the air temperature rises above 38°F. The unit will not heat the water as long as the compressor remains off.

During defrost cycles, when the controller has stopped compressor operation, the display will read: [FS].

DEFROST CYCLE (HEAT & COOL UNITS):

The microprocessor controller, in conjunction with the defrost sensor, constantly monitors the heater's evaporator (air-coil) temperature. Should the controller sense ice or frost has formed on the evaporator, sufficient in amount as to affect the heater's performance, an active defrost cycle (more below) is initiated. Before initiating a defrost command, the controller defrost logic looks at both the air-coil temperature, and the length of time the coil has remained at an ice-making temperature.

Active defrost involves using hot refrigerant gas, from the compressor, to rapidly remove ice or frost from the evaporator coil. In practice, during a hot gas defrost cycle, valving, internal within the refrigerant system, reverses the flow of the refrigerant; this reversal of flow temporarily makes the air-coil the condenser. During hot gas defrost, the air-coil warms very quickly, and accumulated ice and frost is rapidly melted. Under most conditions the evaporator will be completely cleared in under 5-minutes.

HEAT & COOL DEFROST SEQUENCE DETAILS:

- When the controller senses air-coil temperatures conducive to making ice, the unit will enter a 50-minute defrost delay (counting) period.
- During the counting period, the fan and compressor will continue to operate, and the water will continue to be heated. During the counting period it is normal to see a moderate amount of frost and ice formation on the air coil.
- If, after the 50-minute counting period, the controller senses a need to defrost:
 1. The refrigerant circuit reversing valve will be activated, changing the flow of hot refrigerant gas from the pool water heat exchanger to the air-coil.
 2. Fan operation will be suspended, permitting maximum heating of the air-coil.
 3. The reverse cycle will continue until either:
 - A. The air-coil attains a predetermined temperature (indicative of total defrost), or;
 - B. Until 5-minutes have elapsed (regardless of total defrost having occurred).
- During hot gas defrost cycles, the compressor will not deactivate; rather, the compressor will continue operation throughout the sequence. Upon completion of the defrost cycle (as terminated per "A" or "B," above), the reversing valve will be deactivated, fan operation will recommence, and water heating will resume.



Controls Configuration & Adjustments...

Water Flow (Pressure) Switch Adjustment

Occasionally, plumbing system design features will create a situation whereas the heater will abnormally cycle on the water flow circuit. This situation will be evident if the circulator pump is operating, the filter is clean, and all water valves are set to flow water through the heater— but the error code: “FLO” remains displayed (or displays intermittently). In these rare instances where the factory water pressure switch (WPS) setting will not satisfy site conditions, a WPS adjustment, to enable normal heater operation, is possible.

WARNING !

Failure to heed the following may result in permanent injury or death.

WPS adjustment procedure to be performed by experienced service personnel only; procedure is NOT a homeowner-based task, and must not be attempted by individuals lacking adequate electrical and mechanical experience. BEWARE: ROTATING FAN PROP HAZARD: fan may start during water switch adjustment. Keep hands clear of fan blade at all times.

Locate Water Pressure Switch and Identify Type:

1. Before proceeding with switch adjustment, be absolutely certain the heater is receiving correct water flow. Leave circulation pump operating during water pressure switch (WPS) adjustment process.
2. Remove heater front cover and locate the water pressure switch. The switch will be found attached outside of the electrical enclosure, at lower edge; exact location will vary by heater model (see photo P-1, on following page).
3. AquaCal heat pumps may come equipped with either of two (2) water pressure switches: “Len Gordon” or “TecMark” brand (see photos P-2 and P-3, on following page, to determine which brand pressure switch is installed). The adjustment procedures differ slightly between the two brands.

To Adjust a “Len Gordon” Switch:

1. Locate the black, rectangular plastic tab, located on the forward-facing side of the switch (reference P-2 on page following). The black rectangle is a wheel lock tab; slide the tab fully LEFT to unlock the adjustment wheel.
2. With water pump operating, and electrical power supplied to the heater, slowly rotate the top of the adjustment wheel TOWARDS you until the FLO code (just) disappears. WARNING: watch for rotating fan blade; depending upon the state of the control circuit time delay, the heater may start simultaneous with the WPS adjustment.
3. Once the adjustment has been completed, slide the wheel locking tab fully back to the right-hand, locked position.

To Adjust a “TecMark” Switch:

1. (Reference photo P-3 on page following.) TecMark switches do not have an adjustment wheel lock.
2. With water pump operating, and electrical power supplied to the heater, slowly rotate the top of the adjustment wheel AWAY from you until the FLO code (just) disappears. WARNING: watch for rotating fan blade; depending upon the state of the control circuit time delay, the heater may start simultaneous with the WPS adjustment.



Controls Configuration & Adjustments...

Water Flow (Pressure) Switch Adjustment... continued:

To Complete the Adjustment Procedure– Either Brand Switch:

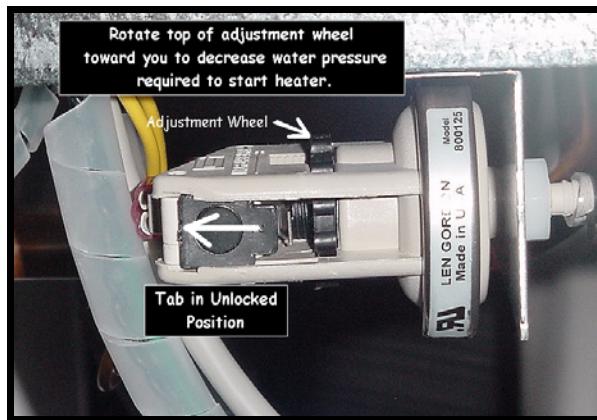
1. With electrical power remaining ON to the heater and heater operating, shut off the power to the circulating pump. If the switch has been correctly adjusted, when the water pump stops, the heater will shut off and the “FLO” code will display.

CAUTION: If the heater continues to operate with water pump off, readjust water pressure switch to **ensure heater will not run without water flow.**

2. Reinstall heater front cover.



P-1, WPS Location



P-2, Len Gordon Style Switch



P-3, TecMark Style Switch

SHOULD ADJUSTMENT OF THE WATER PRESSURE SWITCH PROVE UNSUCCESSFUL, CONTACT AQUACAL TECHNICAL SUPPORT (800-786-7751); SITE-SPECIFIC FACTORS MAY REQUIRE THE INSTALLATION OF AN EXTERNAL FLOW SWITCH.



CONTACTING THE FACTORY

What We Need to Know When You Call Us

If you should need to call AquaCal for service or parts, please have the following information ready:

Model: _____

Serial Number: _____

Installation Date: _____

Having the above information ready will speed the service process and allow us to respond more quickly. A brief but concise description of what the unit is, or is not doing, will also help us to help you.

Please call toll-free at: (800) 786-7751. We are here to serve you from 8 a.m. to 5 p.m. EST, Monday through Friday. If calling after hours, our voice mail system will handle your call. Be sure to leave your name, complete address, and telephone number.

If you prefer, you may FAX the information to: (727) 824-0847.
(Be certain to provide your full address and a daytime telephone number.)

Thank You !





SWIMMING POOL HEAT PUMPS

2737 24th St. North
St. Petersburg, FL 33713
1-800-786-7751