

Title:	Relay Center Mounting and Usage Instructions
Kit Number:	ECA0507



WARNING - Failure to heed the following may result in injury or death.

- **RISK OF ELECTRICAL SHOCK** - Disconnect all AC power when installing or servicing this device. Follow all state, local, and National Electrical Code(s) (provincial and Canadian Electrical Code(s) if applicable). Use copper conductors only.
- For personal safety, and to avoid damage to equipment, follow all safety instructions displayed on the equipment and within this document. Repair and service of the device must be performed by qualified service personnel.



CAUTION - Failure to heed the following may result in equipment damage.

- To permit proper air circulation, the device must be mounted at least 12 inches (30 cm) about ground level or any other air flow obstruction.
- Warranties may be voided if the equipment has been improperly installed. Failure to properly operate, maintain, or repair the device may void the factory warranty.

Parts List:

- (Qty 4) - HDW screws #10 x 1 SMS SS (mounting screws)
- (Qty 4) - Screw Anchors

Choose a Mounting Location:

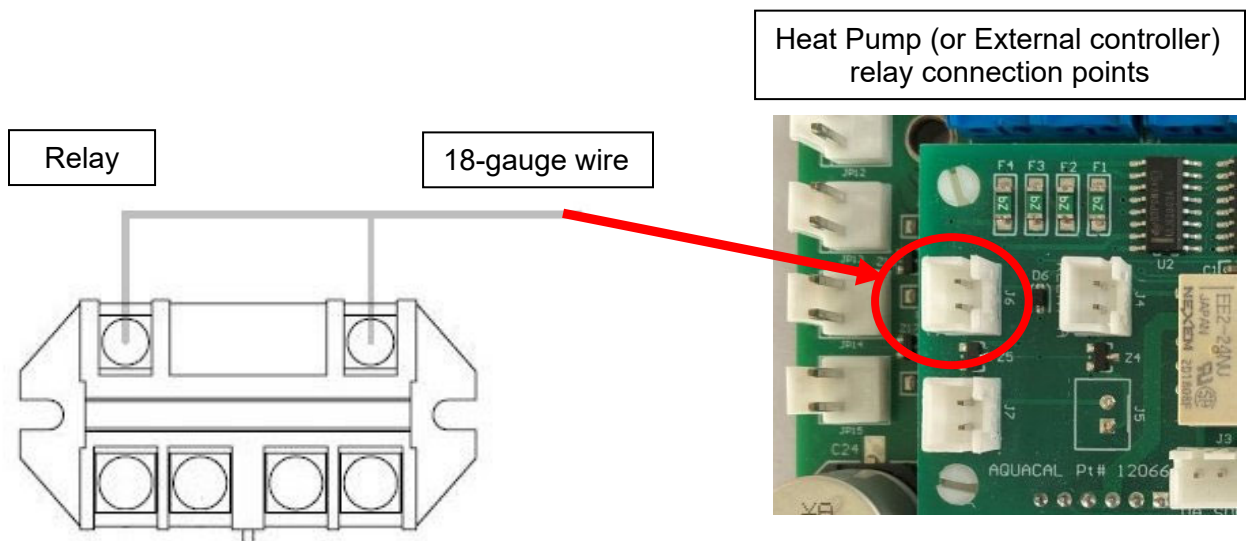
- When selecting a location, choose a flat, stable, vertical surface to mount the relay center.
 - **DO NOT** attach the relay center onto the sides of the Heat Pump or any other equipment.
- The mounting location must be within 15 feet (4.6 M) of the heat pump (or external controller).
- Allow enough clearance for electrical conduit and connections at the bottom of the enclosure.

Mounting the Relay Center:

- 1) Hold relay center on selected surface.
- 2) Using a pencil, mark the location for the holes of the enclosure mounting screws.
- 3) Line up the relay center to the mounting screws marks.
- 4) Start a screw at each mark using the mounting screws provided. If needed use provided screw anchors (if masonry wall).
- 5) Tighten each screw and confirm relay center is secured.

Connecting Relays to Heat Pump:

- 1) Remove relay center cover.
- 2) Disconnect all AC power on this device, heat pump (or external controller), and already connected devices.
- 3) Use the connection points 0 & 1 on the relay to be used and run 18 gauge wire to the heat pump (or external controller).
- 4) Locate relay connection point on heat pump (or external controller).
- 5) Connect 24 V connection to the Heat Pump (or external controller) relay connection point to be used.



Connecting Devices to Relays:

1) Connect device wiring to relay connection points (2 & 4) or (6 & 8) using 18-gauge wire.

- See device instructions for connection points.

Please note – The relay is not meant to provide power to the devices. It is used only to activate or deactivate device.

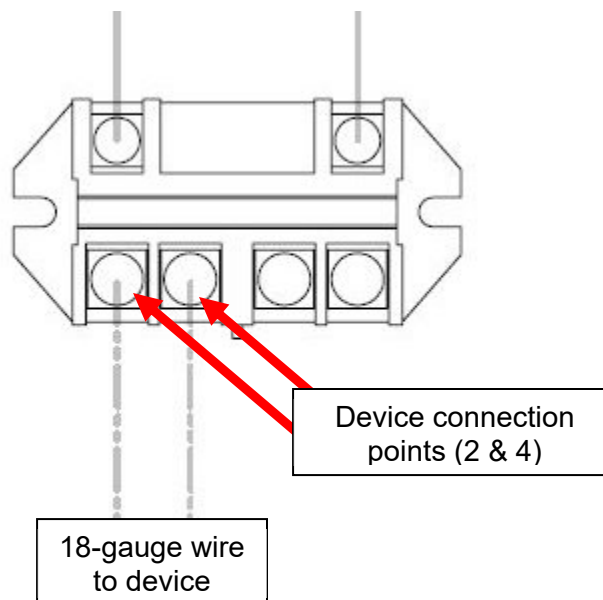
2) Replace relay center cover.

3) Reconnect all AC power on this device, heat pump (or external controller), and connected devices.

4) Program relays to be used as needed on the heat pump (or external controller).

- See AquaCal External Expansion Board Upgrade manual (LTP0167).

Example:

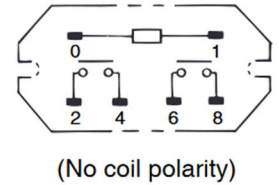
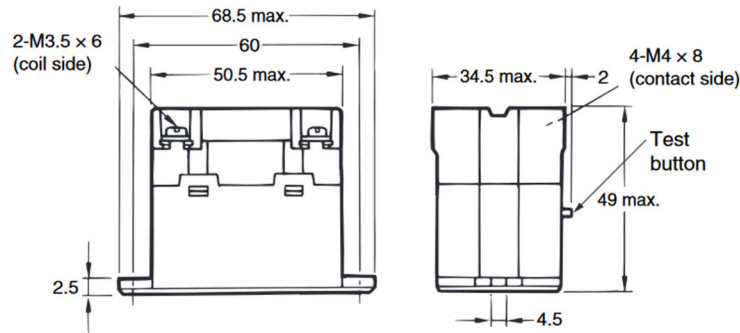
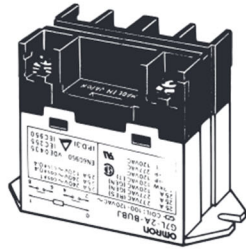


Additional Documentation:

Recommended Relays (AquaCal Part # STK0257) - (up to six relays will fit in the relay center)

Relay Data Sheet

G7L-2A-BUBJ
(with Test Button)



Relay Center Schematic (LTM1102):

