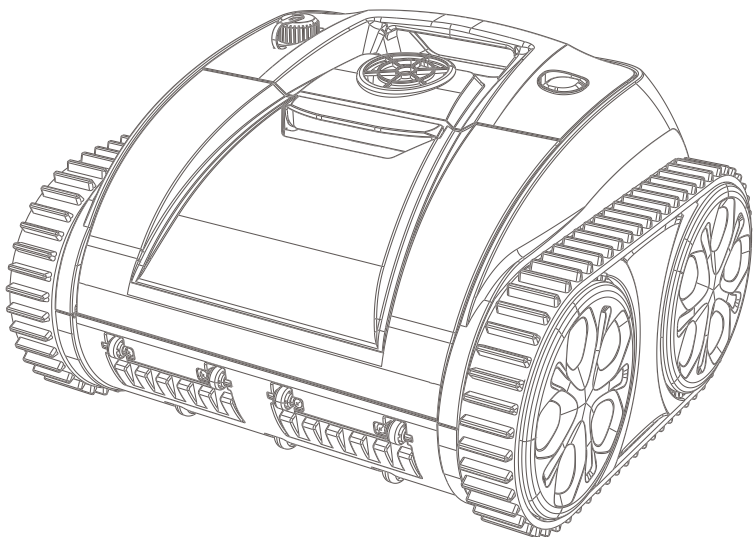


AQUACLEAN

CORDLESS ROBOTIC POOL CLEANER

Cordless Robotic Pool Cleaner Owner's Manual

AC1000 PRO



Read this manual and product labels before installing or operating this equipment.

Thank you for purchasing the AquaClean® Cordless Robotic Pool Cleaner!

Please read through the entire manual before using your new cordless robotic pool cleaner. We are not responsible for any loss or injury caused by improper use. If you encounter a problem with your AquaClean® product, please contact our customer service for assistance.

AquaCal® AutoPilot®, Inc. Customer Service:

Email: customersupport@aquacal.com

Web: www.AquaCal.com

CONTENTS

Important Precautions	01
1. Packing List.....	03
2. Specifications.....	04
3. Operations	05
3.1 Power/Indicator Information.....	05
3.2 Putting Your Cleaner in The Pool	06
3.3 Filter Cleaning	07
3.4 Battery Information	08
3.5 Charging Indicator Information	08
3.6 Floating Block Installation.....	09
4. Warranty.....	10



IMPORTANT PRECAUTIONS READ AND FOLLOW ALL DIRECTIONS

- Follow all state, local, and National Electrical Code(s) (provincial and Canadian Electrical Code(s) if applicable) unless local guidelines supersede.
- For personal safety, and to avoid damage to equipment, follow all safety instructions displayed on the equipment and within this manual.
- Repair and service of your AquaClean® cleaner must be performed by qualified service personnel only. Warranties will be voided if the chlorinator has been improperly installed. Failure to properly operate, maintain or repair the AquaClean® cleaner will void the factory warranty.



WARNING - Failure to heed the following may result in permanent injury or death.

- **RISK OF ELECTRICAL SHOCK** - The unit must be connected only to a supply circuit that is protected by a ground-fault circuit-interrupter (GFCI). The GFCI must be tested on a routine basis. To test, push the GFCI test button. Power should be interrupted. Push the reset button. Power should be restored. If the GFCI fails to operate in this manner, it is defective.
- **RISK OF ELECTRICAL SHOCK** - If the ground-fault circuit-interrupter (GFCI) interrupts power to the equipment without the test button being pushed, a ground current is flowing with a possibility of an electrical shock. Do not use equipment. Disconnect the equipment and have the problem corrected by a qualified service representative before using.
- **RISK OF ELECTRICAL SHOCK** - To reduce the risk of electrical shock, do not use the charger if the cord is damaged.
- **PERSONAL SAFETY HAZARD** – To reduce the risk of injury, do not permit children to operate this device. Never allow children to ride on the cleaner or play with it as a toy.
- **RISK OF CHILD DROWNING OR INJURY** - Children must be closely supervised at all times around pool or spa equipment.
- **PERSONAL SAFETY HAZARD** – Do not operate the cleaner when there are people in the pool.
- **PERSONAL SAFETY HAZARD** – Do not charge the cleaner if the environment is above 95° F (35° C) or below 41° F (5° C)



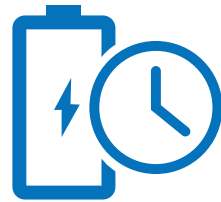
CAUTION - Failure to heed the following may result in equipment damage.

- Use the accessories recommended or sold by the manufacturer only.
- Dry the charging port after removing the cleaner from out of the water. Ensure the cleaner is switched off (the indicator should be off) before charging.
- Use the original and authorized power charger only. Do not charge any other devices with this charger.
- Do not charge the cleaner if the environment is above 95° F (35° C) or below 41° F (5° C)
- Do not overcharge the cleaner as it will reduce the life of the battery.
- Do not power on the cleaner when it is out of the water.
- Always clean and wash the filter tray after each use.
- Do not use a pool cleaner on newly plastered pools, as wheels can leave track marks if the surface is not adequately cured. Consult your pool professional for instructions on when to use this cleaner on newly plastered surfaces.
- Only qualified service professionals should disassemble the sealed drive kit of the cleaner. Warranties will be voided if the cleaner has been improperly installed. Failure to properly operate, maintain or repair the AquaClean® cleaner will void the factory warranty.

SAVE THESE INSTRUCTIONS

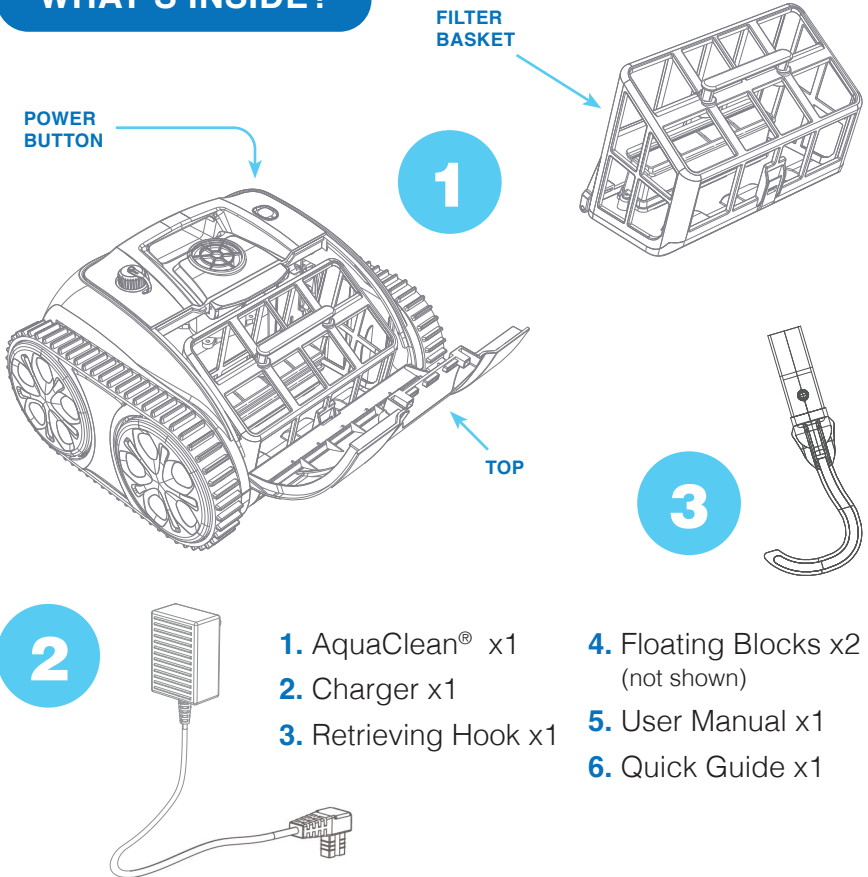
Do not over-charge the cleaner. This will reduce the battery life.

If the cleaner will be stored for more than (6) months, it should be fully charged prior to storage.



The AquaClean® Cordless Robotic Pool Cleaner is a new type of rechargeable automatic cleaning equipment for swimming pools: cordless and easy to use.

WHAT'S INSIDE?



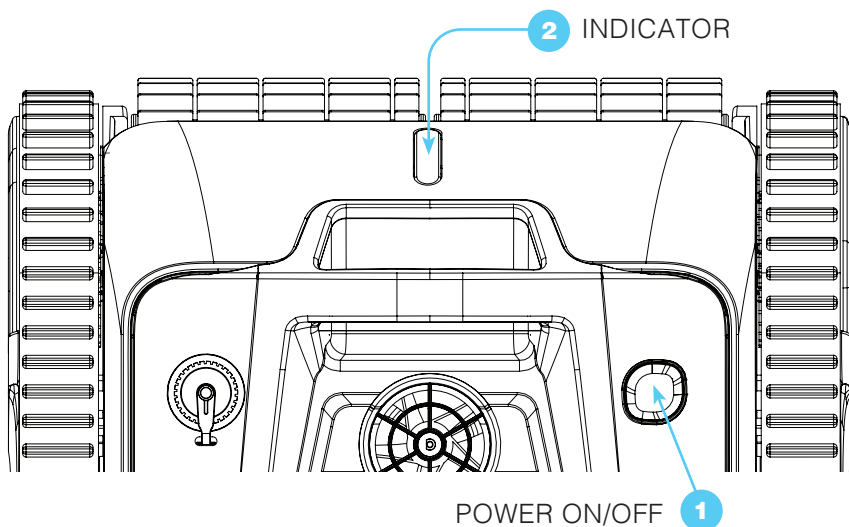
- 1.** AquaClean® x1
- 2.** Charger x1
- 3.** Retrieving Hook x1
- 4.** Floating Blocks x2 (not shown)
- 5.** User Manual x1
- 6.** Quick Guide x1

SPECIFICATIONS

Model	AquaClean® AC1000 Pro
Rated Working Voltage	10.8V
Power	65W
Run Time	Max. 90min for one cycle
Charger Input	100-240V, 50-60Hz
Charger Output	5A
Battery Capacity	9200mAh
Charging Time	3-4 hours
Pool Size	Up to 861sq.ft (80m ²)
Flow Rate	approx. 2642gal/h (10m ³ /h)
Filter Density	180 μm
Moving Speed	approx. 36ft/min (11m/min)
Waterproof Grade	IPX8
Charging Environment Temperature	41° F - 95° F (5° C - 35° C)
Max Water Depth	8.2ft (2.5m)
Product Size	14.6(L)*14.1(W)*9.4(H) inches 372(L)*360(W)*240(H) mm
Weight	17.64lbs (8kg)
Storage Condition	41° F - 95° F (5° C - 35° C), RH≤75%

NOTE: Chargers may vary, both are certified by authorization.

OPERATIONS



ITEM	FUNCTION	DESCRIPTION
1	Power On/Off	<ol style="list-style-type: none"> 1. Press the button, blue light indicates the cleaner is powered on. 2. Press the button again, red light indicates the cleaner is powered off.
2	Indicator	<ol style="list-style-type: none"> 1. Blue light is steady on: power on 2. Blue light flashes: the cleaner is working 3. Yellow light flashes: low battery and start to self-parking 4. Yellow light is steady on: self-parking finished 5. Purple light is steady on: Bluetooth® is connected

NOTE: When the yellow light is steady ON, power off the cleaner and charge the unit. Contact AquaCal AutoPilot, Inc. Customer Service if the cleaner fails to work after running in the pool or charging.



POWER ON



POWER OFF



CLEANER WORKING



LOW BATTERY/
SELF-PARKING START



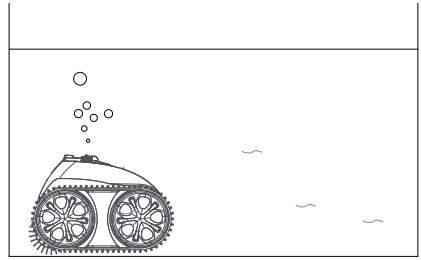
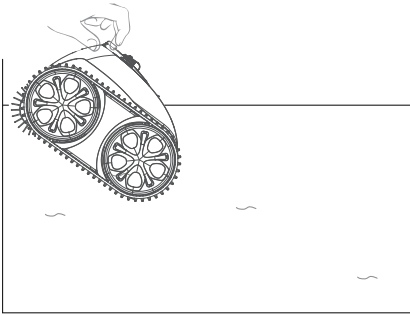
SELF-PARKING
FINISHED



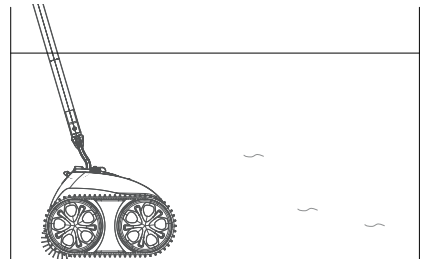
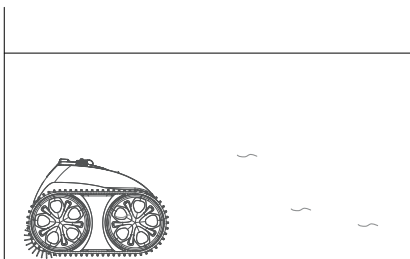
BLUETOOTH®
CONNECTED

1. PUTTING YOUR CLEANER IN THE POOL

- A. Press the power On/Off button on your cleaner.
- B. Put the cleaner into the pool with the cleaner bottom towards the wall.
- C. Hold onto the cleaner for approximately (5) seconds while the cleaner releases air from the unit. The cleaner will slowly sink to the pool floor while continuing to release air from the unit.
- D. Once the unit reaches the bottom of the pool, it will begin moving and cleaning the pool.



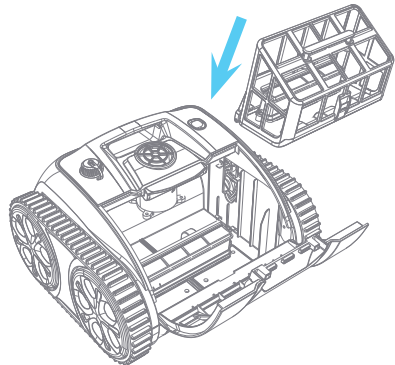
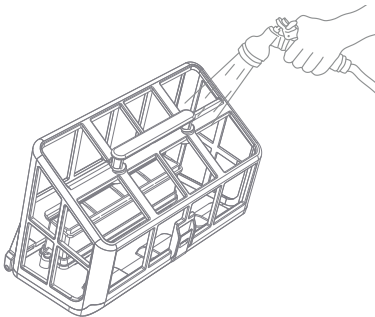
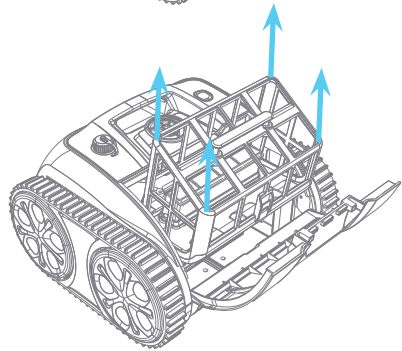
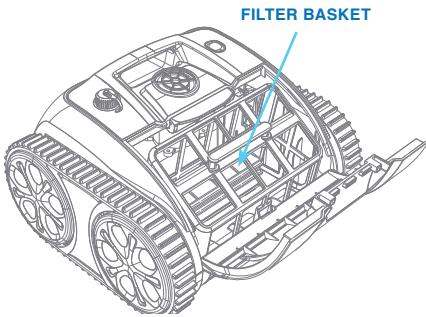
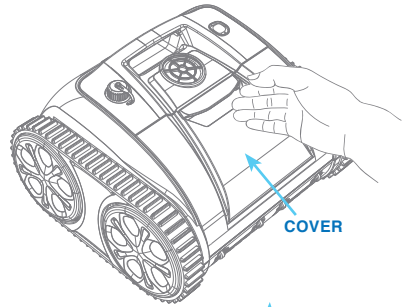
- E. The cleaner will move to the pool edge when it's finished working. Use the hook to lift the cleaner out of the pool.



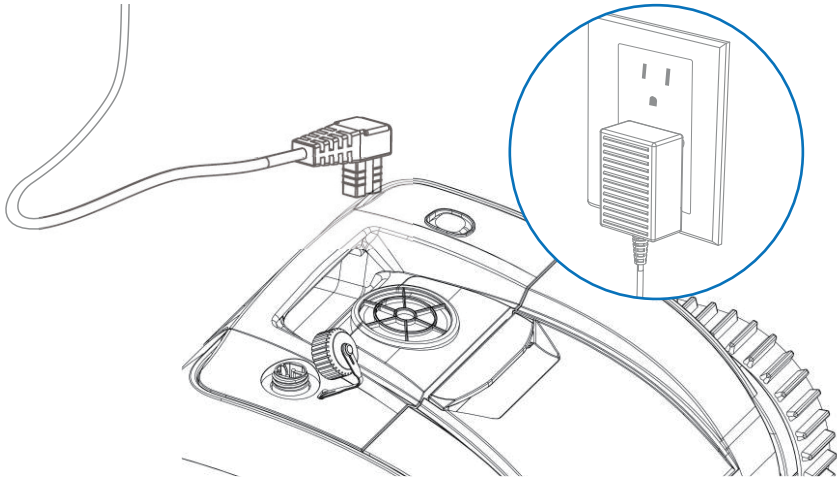
2. FILTER CLEANING

CAUTION - Failure to heed the following may result in equipment damage. Do not attempt to clean the filter while the unit is in the pool.

- A. Open the top cover.
- B. Remove the filter basket by lifting upwards.
- C. Clean the filter basket with a hose, using a light spray, before replacing.



3. CHARGE THE BATTERY



4. CHARGER INDICATOR

INDICATOR COLOR & STATUS	CHARGING STATUS
Green Light, Steady On	Waiting for recharge, connector not plugged in, or charging is finished
Red Light, Steady On	The battery is currently charging
Red Light, Flashing	Low battery, or battery is damaged



NOTE: Charge the cleaner indoors and at least 10ft (approx. 3m) from the edge of the pool.



WAITING FOR RECHARGE/CONNECTOR NOT PLUGGED IN/CHARGING FINISHED



BATTERY CHARGING

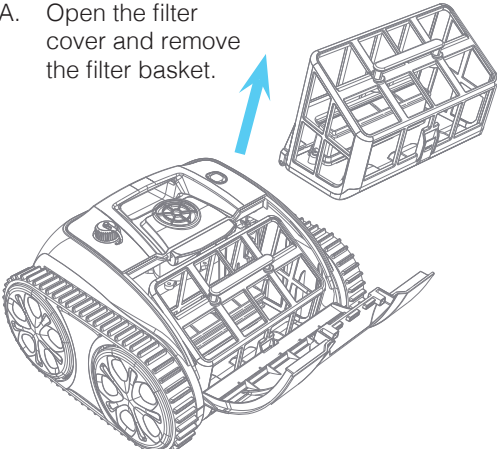


LOW/DAMAGED BATTERY

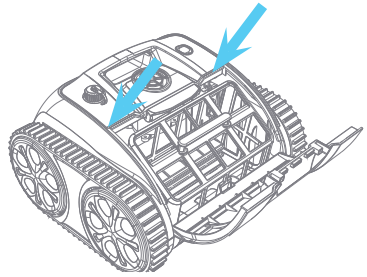
5. INSTALLATION OF FLOATING BLOCKS

Attention: The following diagrams are limited to use of the floating blocks when the robot cannot climb the pool walls. **If your cleaner is performing well, please bypass these instructions.**

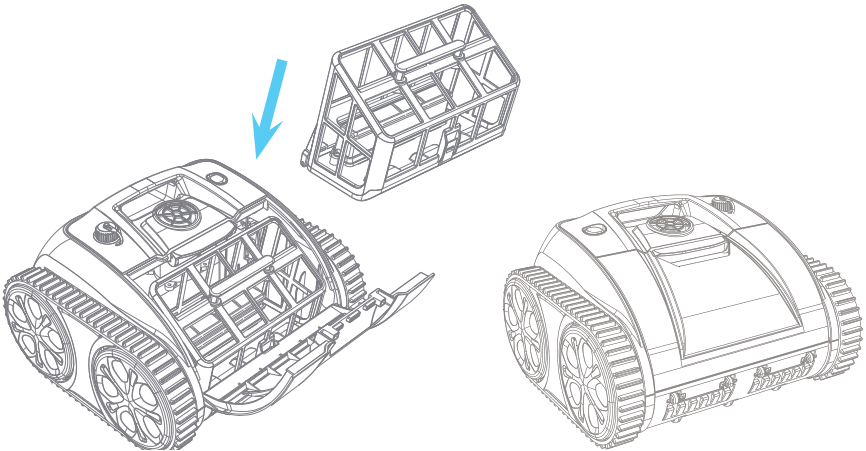
- A. Open the filter cover and remove the filter basket.



- B. Remove the protective film from the back of the floater and apply according to the positions shown in the figure below.



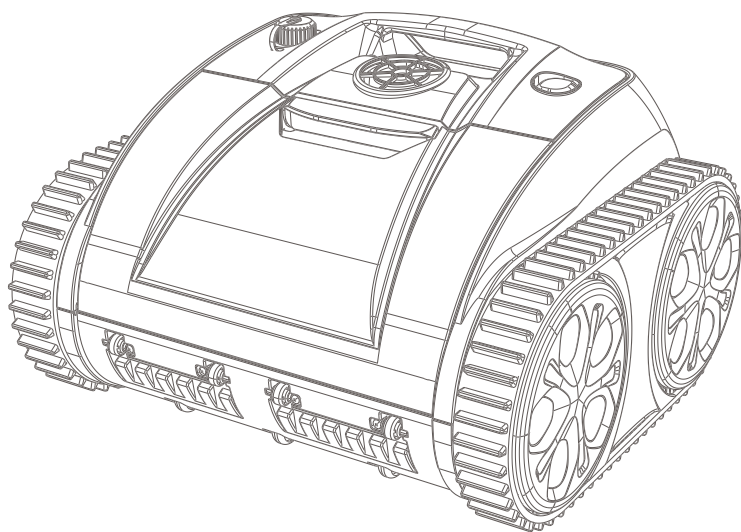
- C. Replace the filter basket and close the filter cover.



**Contact AquaCal® AutoPilot®
customer service about your
warranty at
+1 727.823.5642**

AQUACLEAN

CORDLESS ROBOTIC POOL CLEANER



AquaCal AutoPilot, Inc • 2737 24th Street North, St. Petersburg, FL 33713, USA • +1 727.823.5642

AQUACLEAN

CORDLESS ROBOTIC POOL CLEANER

