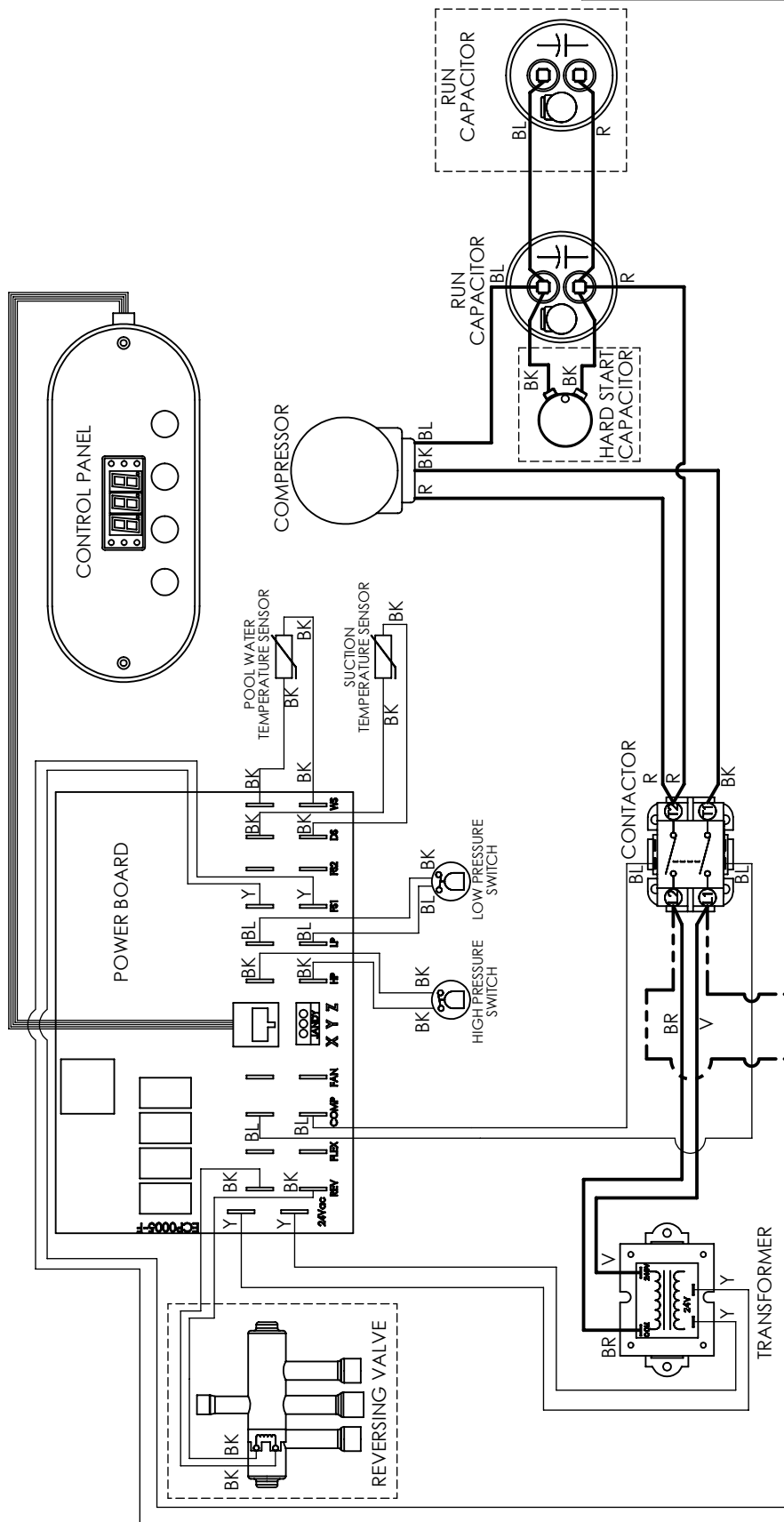


- NOTES UNLESS OTHERWISE SPECIFIED:
 1. USE COPPER CONDUCTORS ONLY.
 2. TO BE WIRED IN ACCORDANCE WITH NAT'L ELEC (NEC) & LOCAL CODES.
 3. CONNECT TRANSFORMER TO CORRECT VOLTAGE.
 4. LINE VOLTAGE CODES:
 A: 208-230VAC/60HZ/1Φ
 H: 200-240VAC/50HZ/1Φ

REVISION TABLE			
REV.	PCA NUMBER/DESCRIPTION	CHANGED BY	DATE
DEV-G	ADDED REVERSING VALVE OPTION	TOMD	10/27/2014



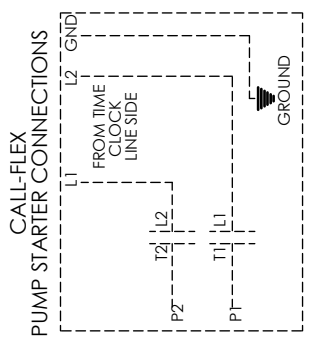
COLOR CODE	
BL:	BLUE
BK:	BLACK
BR:	BROWN
BR/W:	BROWN AND WHITE
G:	GREEN
R:	RED
V:	VIOLET
Y:	YELLOW
W:	WHITE

AquaCal WATER HEAT EXCHANGERS

The Innovative Leader In Pool & Spa Water Conditioning Equipment

AUTOPILOT SYSTEMS INC.
 SALT CHLORINE GENERATORS
 2737 24th St. No.
 St. Petersburg, FL 33713

DESCRIPTION	
UNLESS OTHERWISE SPECIFIED, DIMENSIONS ARE INCHES (MILLIMETERS)	
TOLERANCES: DECIMALS	TBD
ANGLES	TBD
MATERIAL	
FINISH	
DO NOT SCALE DRAWING	
DO NOT MANUALLY CHANGE CAD GENERATED DRAWING.	
MODELED BY: TD	DRAWN BY: XXX
DATE: 5/13/13	DATE: 1/1/2011
PROJECT ENG: TD	CHKD BY: TD
LTM0738	
INFORMATION CONTAINED IN THIS DRAWING IS THE SOLE PROPERTY OF AQUACAL AUTOPILOT, INC. ANY REPRODUCTION IN PART OR WHOLE WITHOUT WRITTEN PERMISSION OF AQUACAL AUTOPILOT, INC., IS PROHIBITED.	
SCALE: DWG SIZE: 1:4 A	REVISION: DEV-F
CAD FILE: LTM0350	SHEET 1 OF 1



24VAC
OPTIONAL LINE VOLTAGE
FIELD WIRED LINE VOLTAGE